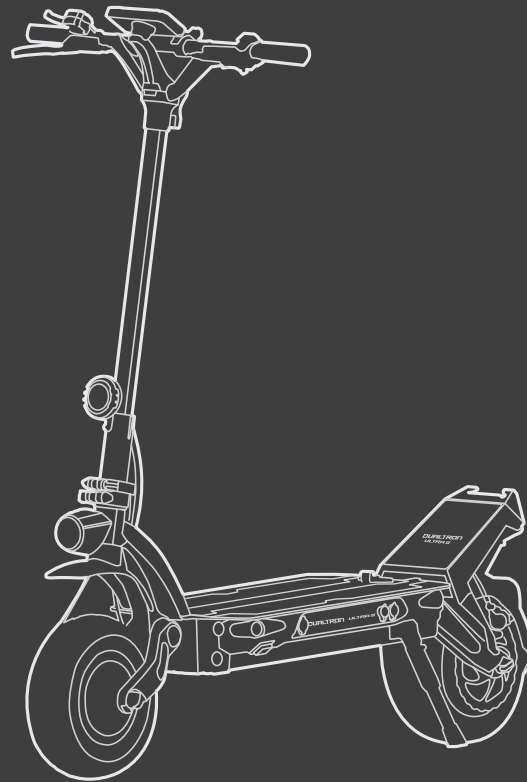


ULTRA II
UPGRADE
Personal Mobility
PRODUCT MANUAL



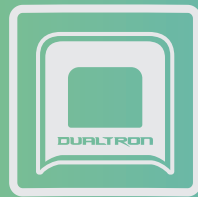


Scan the QR code to download the latest user materials
and obtain the latest updates and safety instructions.

DUALTRON

The dream of electric technology.

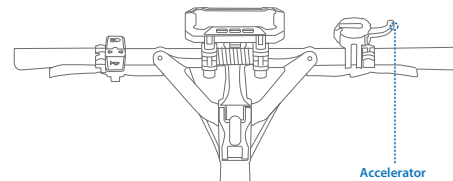
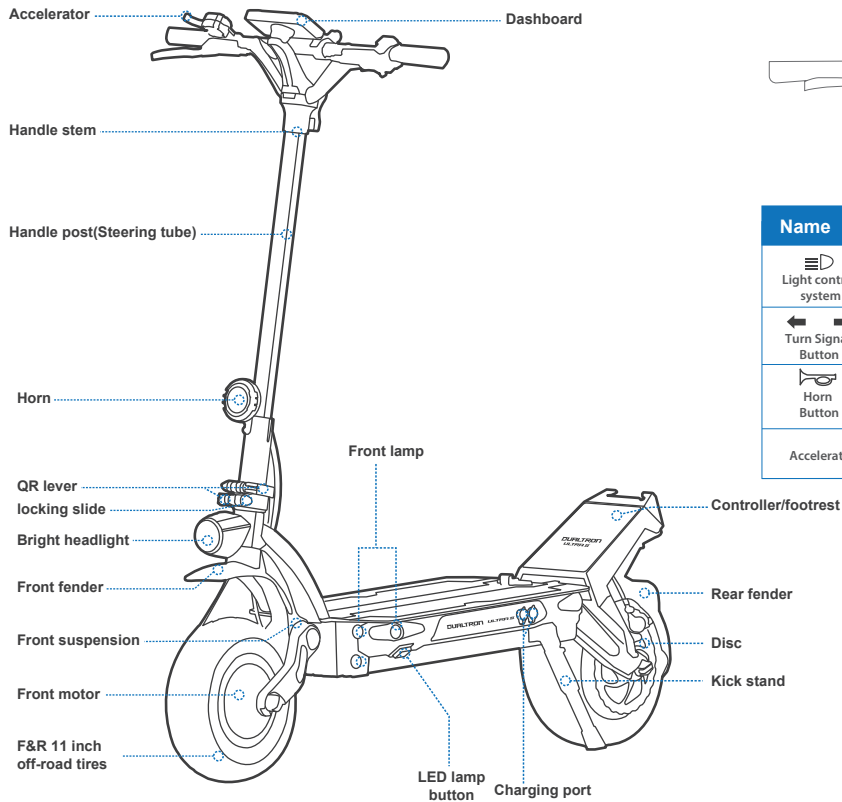
The pictures shown are for illustration purposes only. Actual product may vary.






MINIMOTORS



Diagram And Functions



Name	Function	Operation method
 Light control system	Turn on/ off headlight	Press the light button,turn on/off the headlight.
 Turn Signal Button	Turn on/off the left/right signal	Press the left/right side of the Turn Signal Button, the left/right turn signal will keep blinking.
 Horn Button	Turn on the horn	Press the Horn Button, the scooter will beep once.
Accelerator	Speed up	Pull the throttle to accelerate.



Specifications

	Item	Parameter
Product	Model	DUALTRON ULTRA II UPGRADE
	Length × Width × Height	1260x 685 x1300mm
	Folded: Length × Width × Height	1260x685 x750mm
	Net Weight	45.8kg
Rider	Max. load	120kg
	Recommended Age	14–60 years old
Machine	Wheelbase	Approx.970mm
	Ground Clearance	Approx.180mm
	Drive System	Two-wheel drive
	Max. Speed	25km/h
	Range	100km
	Max. Slope	Around 70% (35°)
	Traversable Terrain	Asphalt/flat pavement; obstacles < 5 cm; gaps < 5 cm
	Operating Temperature	-5 to 45°C
Storage Temperature	-20 to 50°C	
Display	Type	EY4 LCD Bluetooth Display(Ability to connect to DUALTRON APP)
	Size Of LCD	95*36mm, about 4.2 inches
Brake	Type	Hydraulic brake
	Quantity Of Pistons	2-pistons
	Electric Brake	ABS&EBS (Indicating the battery temperature exceeds 55°C,BMS start protection program,ABS/EBS fails.)



Specifications

Battery	Battery Capacity	72V32Ah(CN 21700)
	Charging Ambient Temperature	0 to 40°C (Battery temperature exceeds 55°C,BMS start protection program..)
	Battery Management System	Over-heating, short circuit, over-current, over-discharge and over-charge protection
Motor	Motor Type	BLDC Hub Motor
	Nominal Power	1800W*2
	Max. Power	3300W*2
Charger	Input Voltage	100-120V/200-240V~
	Max. Output Voltage	83V 1.5A (Fast charger 83V5A is optional)
Tire	Type	11 inch offroad tire with tube
	Tire Pressure	50 psi
	Material	Rubber
Suspension	Type	Front -Rubber Suspension, Rear-5 kinds of rubber cartridge replaceable design
	Optional	(Default) Softest ■ Medium soft ■ Medium ■ Medium hard ■ Hardest ■

*Disclaimer: this is not a legal opinion or legal advice. The information provided herein (including in the App) is for your convenience and information purpose only. It is not intended to cover every piece of law and/or regulation that may be applicable to this product. DUALTRON explicitly hereby disclaims any and all warranty and/or representation, express or implied, related to completeness, accuracy, up-to-date of such information. DUALTRON reserves the right but not obligation to correct, implement and/or update the information. You shall use the information at your own risk. It is your sole responsibility to learn and understand any and all the law and/or regulation, requirements, prohibition, restriction and/or limitation imposed by either law, government authority, court, private party or the others that may apply to your use of this product.

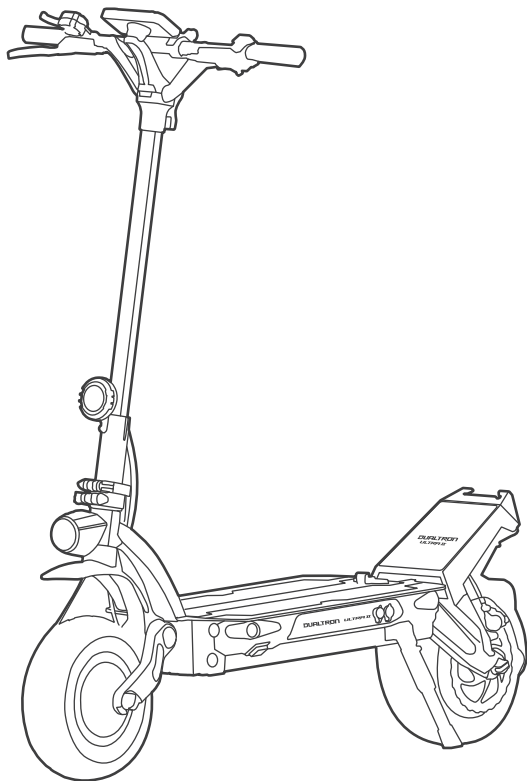
*Theoretical Range: tested while riding with a full battery, 75 kg load, 25°C, at the speed of 25 km/h on average on pavement.

*Typical Range: tested while riding with a full battery, 75 kg load, 25°C, at the speed of 50 km/h on average on pavement. (Some of the factors that affect range include speed, number of starts and stops, ambient temperature, etc.)

*Max.Speed: tested while riding with a full battery,75kg load,25°C,straight road on flat road with no wind. (Some environmental factors can affect max speed,uneven roads, crooked roads, temperature, wind, etc.)



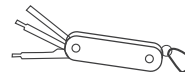
Packing List



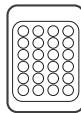
Accessories



Main battery charger x1



Multitool x 1



LED Remote control



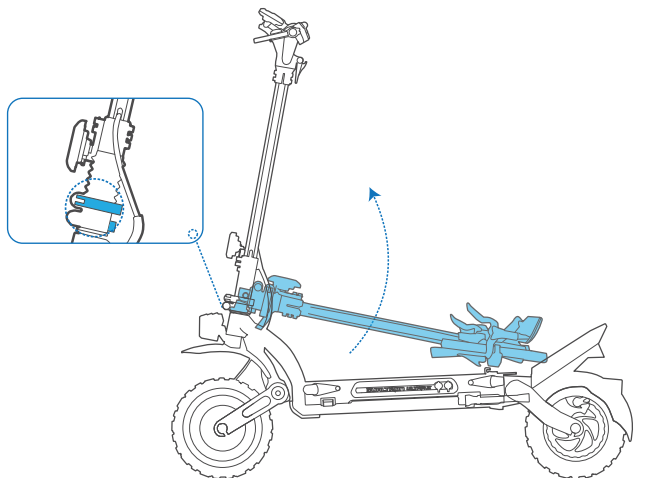
Screw Cap x 2



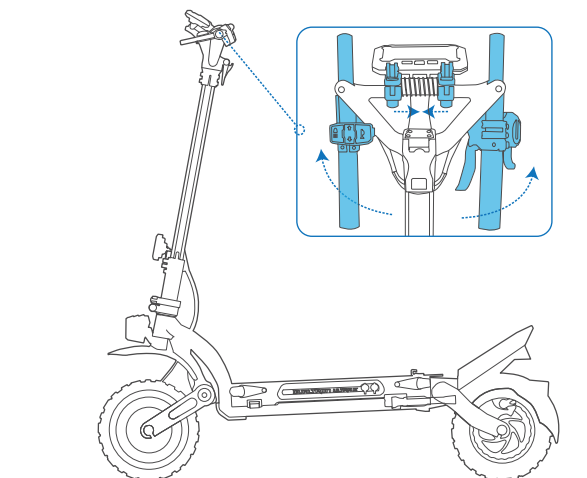
Manual



Assembly



- ① Unlock the steering tube from the deck
- ② Raise the steering tube, move the locking slide downward.
- ③ Tighten the finishing screw properly to lock the wide QR lever firmly.



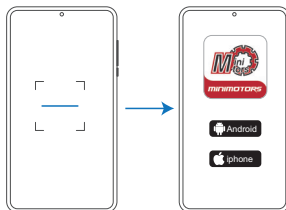
- ④ Move the locking slide of handlebar inward and raise the handles.
- ⑤ Close the QR lever and tighten it.

Bluetooth Connection

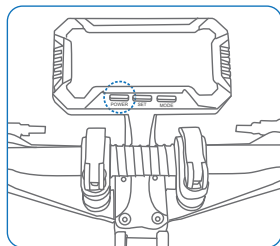
APP Download Guide



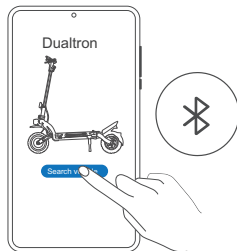
1. Scan the QR code to download the APP.
2. Choose the mobile phone system that suits you to install, and register / log in.



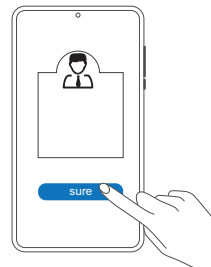
1. Search "DUALTRON" in the application and download it, and register / log in.



Power on the scooter.



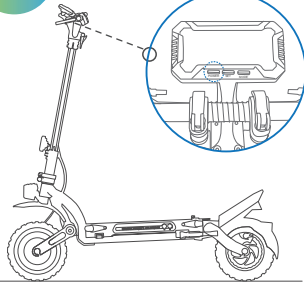
Click "Search vehicle" and pair with your scooter. * The scooter is connected to the Dualtron app when the Bluetooth symbol lights up.



Select bind as owner



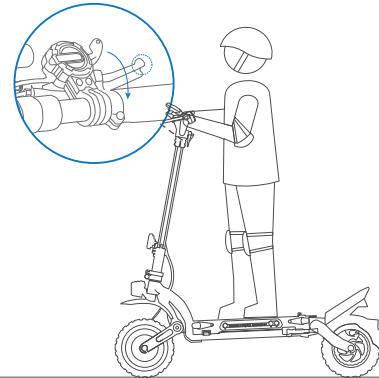
How to Ride



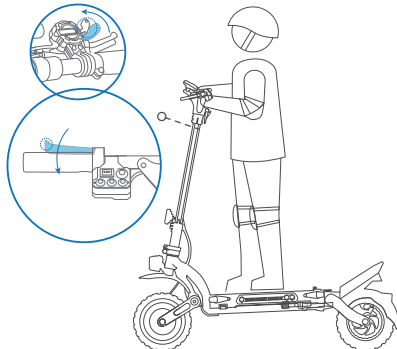
1. Power on the scooter and choose the speed mode. * Please choose the speed mode before riding! Note: Speed mode can be choose via the Dualtron app.



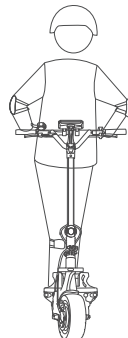
2. Stand on the footboard with one foot and push off with the other foot to start gliding. *Make sure you have disabled SAFE mode. (SAFE mode setting via Dualtron app. Deactivate safe mode by squeezing brake lever.)



3. Put both feet on the footboard and stand stably. Pull the accelerator to speed up. * This scooter starts at an initial speed of 0 km/h. Note: Disable the Zero start-up feature via the Dualtron app. When disabled, the motor will not engage until the scooter reaches 1.9 mph (3 km/h).



4. Slow down by releasing the accelerator and squeezing the brake levers.



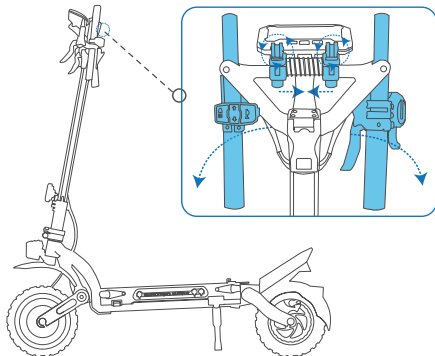
5. To turn, shift your body and turn the handlebar slightly. * Please watch out for road conditions, sufficient turning space is required.



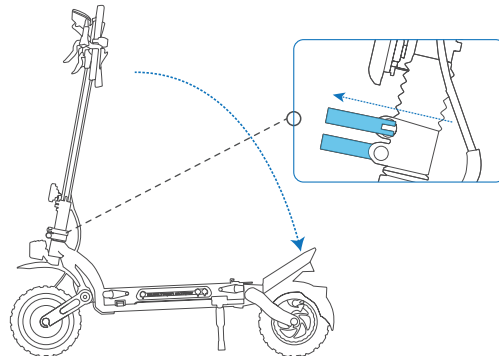
When hard braking, serious danger or injury may occur. Maintain a moderate speed and look out for potential hazards.



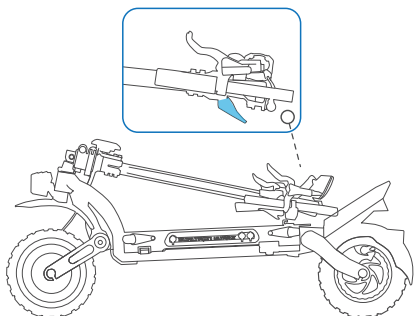
Folding



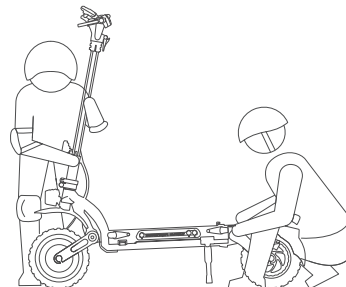
Release the QR lever of handlebar, move the locking slide inward and fold the handles.



Release the wide QR lever, raise the locking slide upwards.



Fold the steering post, lock the steering tube to the deck.



Lift up the bottom of the front fork and rear foot pedal to carry if necessary. Make sure the scooter is carried by two or more people. **⚠ Risk of pinching!**

