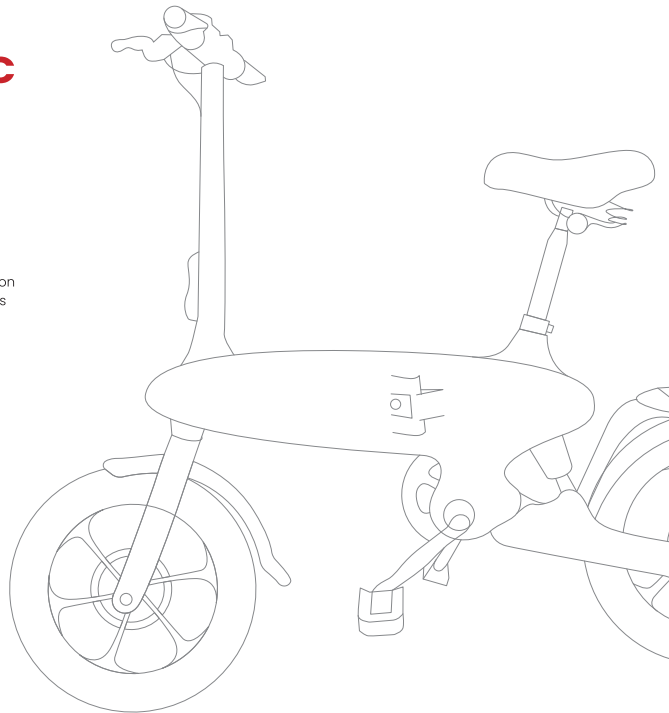




DYU SMART ELECTRIC BIKE C2 INSTRUCTION

Do Not Use This Product Without Carefully Reading This Instruction Manual and Understanding The Performance Of Electric Bicycles please Keep The Instruction Manual Properly



<https://dyucycle.com>



A Fun & Amazing Ride

TABLE OF CONTENTS

02

Parts & Components

04

Warranty Statement

05-15

1. Assembly

- 1.1 Frame
- 1.2 Riser
- 1.3 Handlebar
- 1.4 Seat
- 1.5 Pedal
- 1.6 Battery
- 1.7 Tires

16-23

2. Functions

- 2.1 Display
- 2.2 Setting Mode
- 2.3 Lights
- 2.4 Bell
- 2.5 Kickstand
- 2.6 Pedals
- 2.7 Brake

24-27

3. Riding

- 3.1 Riding modes
- 3.2 Pedal assist
- 3.3 Riding safety

28-31

4. Storage and maintenance

- 4.1 Storage
- 4.2 Maintenance

32-35

Specification

36

Trademark

37

Disclaimer

38

Contact us

Parts & Components

- 1. Headlight
- 2. Riser Latch
- 3. Riser
- 4. Handlebar
 - a. Grip Cover
 - b. Left Brake
 - c. Display
 - d. Bell
 - e. Head Reflector
 - f. Throttle
 - g. Right Brake
- 5. Frame
- 6. Battery Switch
- 7. Saddle
- 8. Seat Tube
- 9. Seat Tube Clamp
- 10. Rear Light
- 11. Front Mudguard
- 12. Front Reflector
- 13. Front Disc Brake
- 14. Front Wheel
- 15. Disc Brake Rotor
- 16. Chain Wheel
- 17. Pedal
- 18. Crank
- 19. Chain
- 20. Shock Absorber
- 21. Kickstand
- 22. Disc Brake Rotor
- 23. Motor
- 24. Disc Brake Caliper
- 25. Rear Mudguard
- 26. Rear Reflector
- 27. Pannier Rack

Tools and accessories include:



One Multifunctional Spanner



One Pedal



One Battery



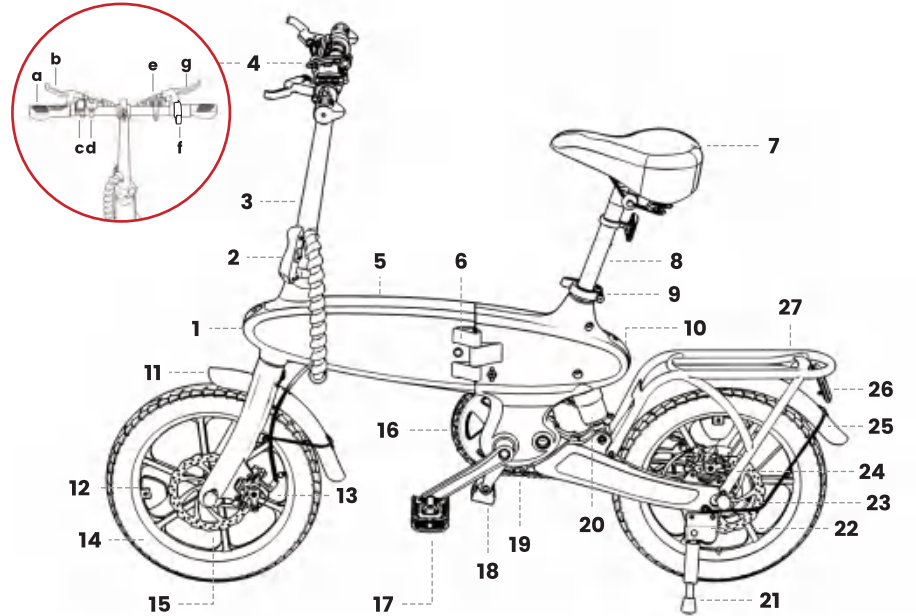
One Charger With Cable



One Warranty Card



And One Owner's Manual



NOTE: IMAGES MAY NOT REFLECT EXACT APPEARANCE OF ACTUAL PRODUCT

Warranty Statement

Should the product you purchased comes with missing or damaged parts or functions (within the scope of warranty), DYU shall provide you with repair and replacement service within the specified period of warranty (which can be tracked by the order number on the DYU official website, or by the proof of purchase that can be obtained from the retailer).

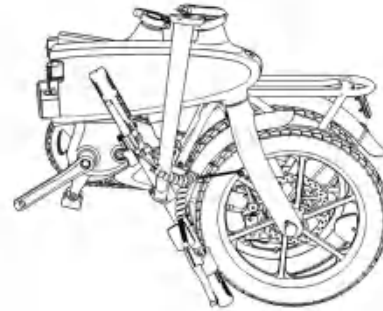


Please note that the warranty applies to purchase from the DYU official website or designated retailer only. DYU shall not provide the repair and replacement service to any produce purchased from elsewhere.

For details, please visit:

<https://dyucycle.com/pages/warranty>

1. Assembly

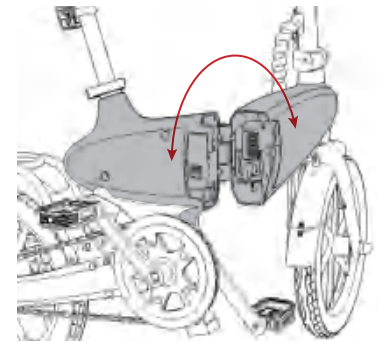


After removing all packaging

1.1 Frame

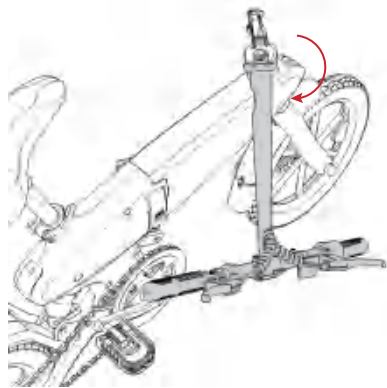
How to assemble

1. Take out your eBike, and unfold.
2. To align the front and rear of the frame in a straight line, press the frame quick release.
3. Wait till the frame straightens up. A sound of click indicates that the frame connection is firm.

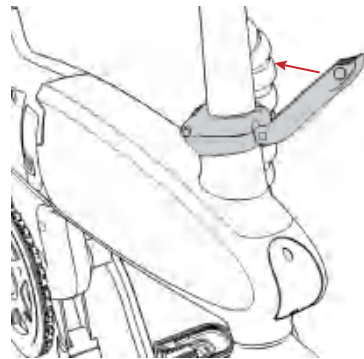


1.2 Riser

How to assemble



1. Pull the riser all the way up.

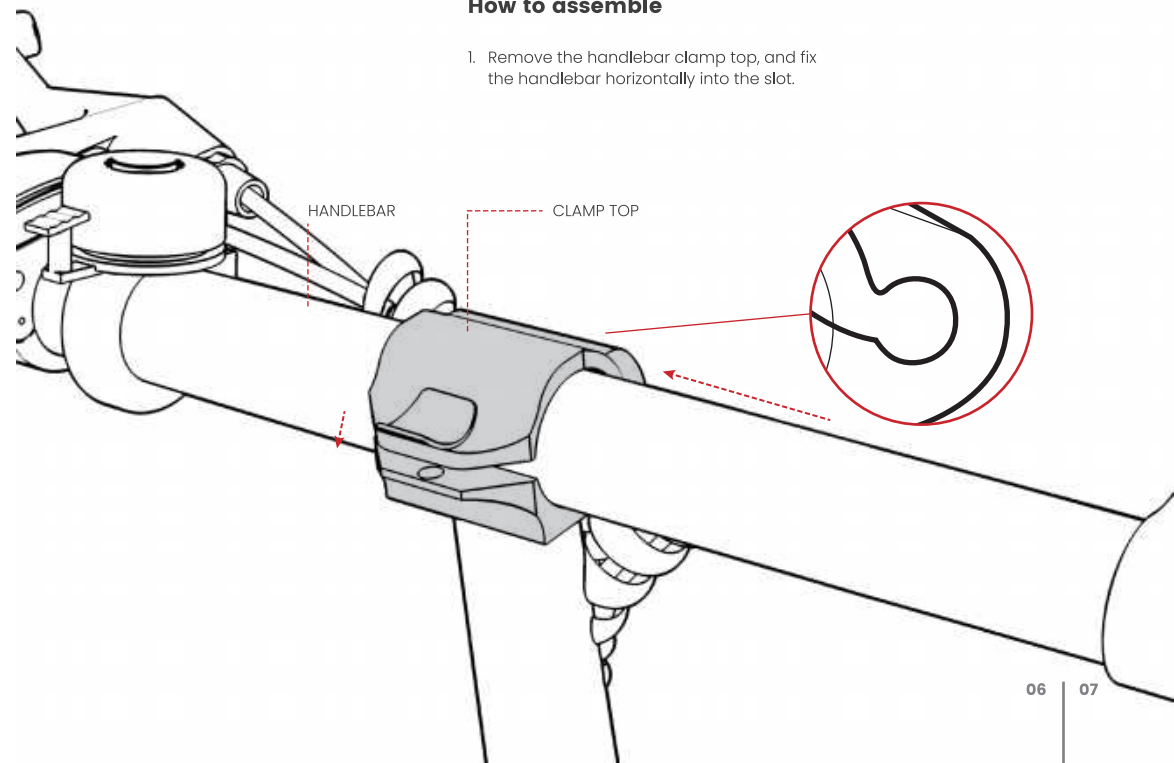


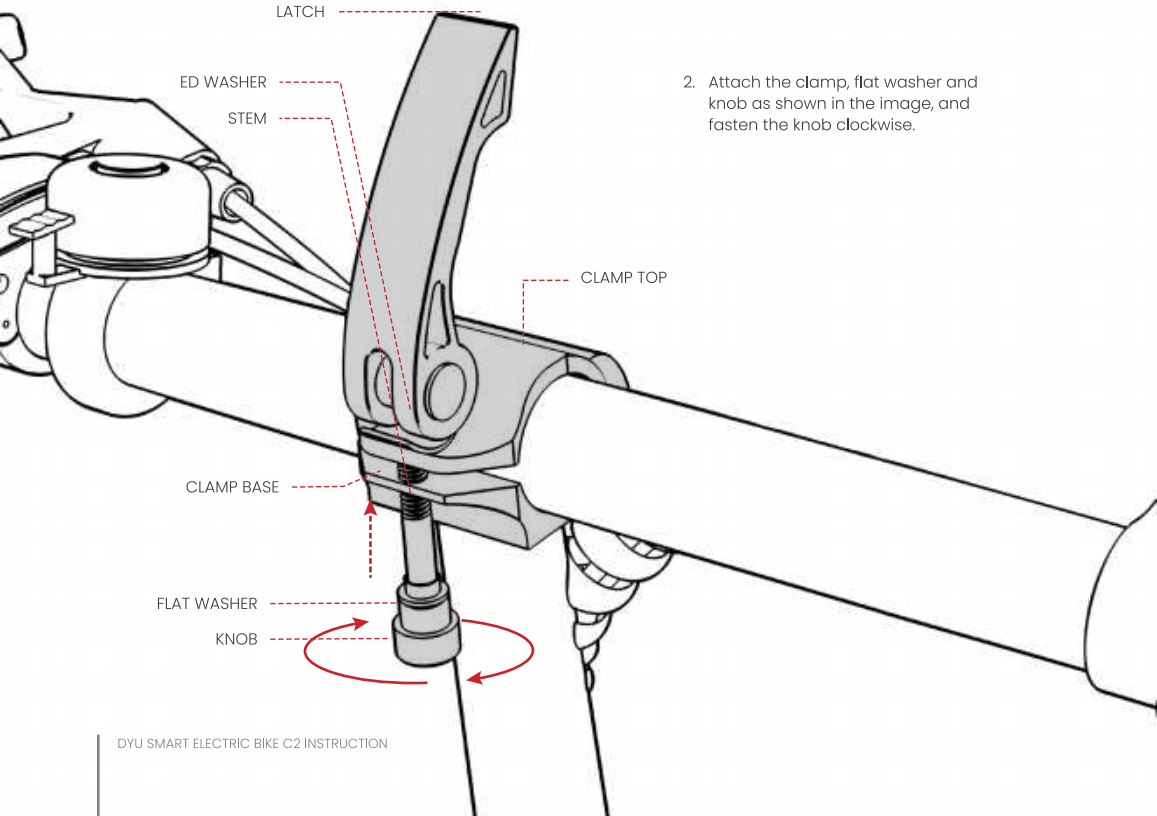
2. Close the riser latch till you hear a sound of click that indicates firm connection.

1.3 Handlebar

How to assemble

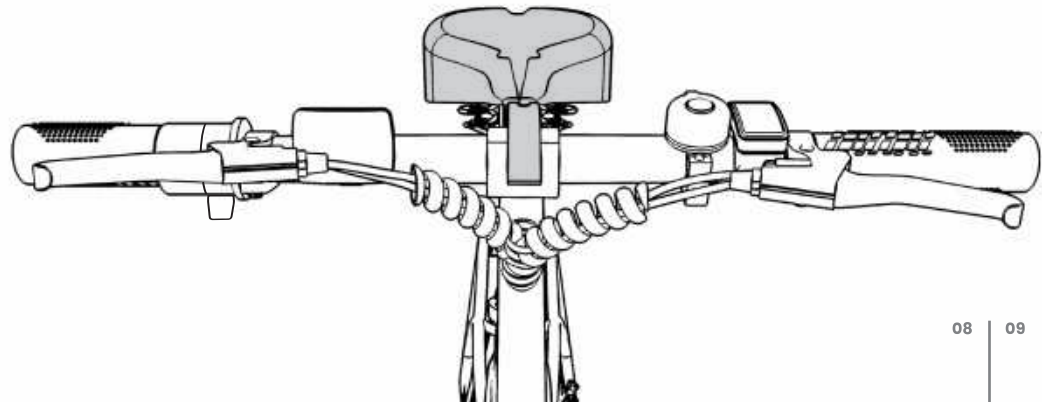
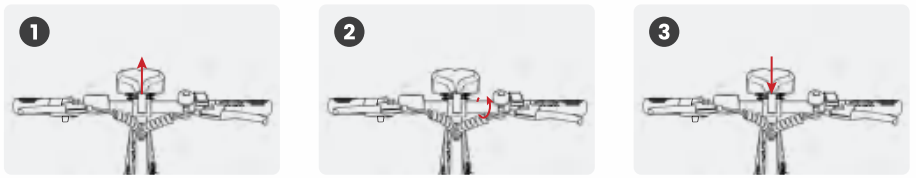
1. Remove the handlebar clamp top, and fix the handlebar horizontally into the slot.





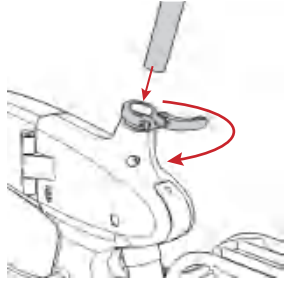
2. Attach the clamp, flat washer and knob as shown in the image, and fasten the knob clockwise.

3. Adjust the angle of the handlebar till you feel comfortable, and close the latch to secure the position.

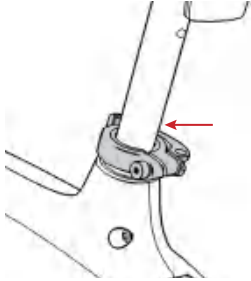


1.4 Seat

How to assemble



1. Loosen the seat tube clamp.



2. Insert the seat tube into the frame. Adjust the seat tube to desired height, but never go below the minimum mark. Tighten the nut and close the clamp.

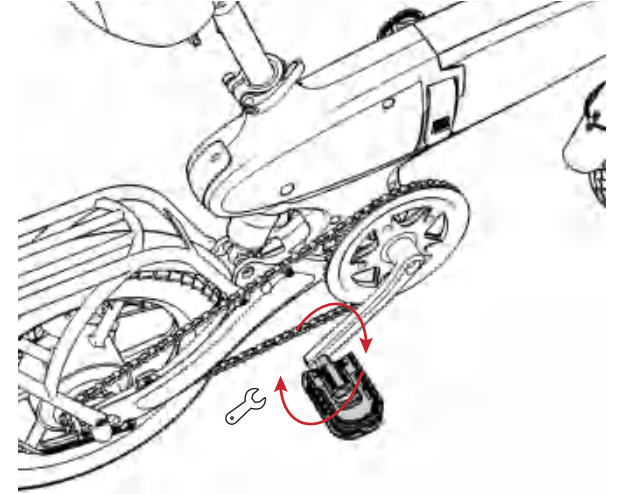


3. Push the seat left and right to confirm the stability. If rotation occurs, please turn the nut clockwise for half a circle, close the clamp, and check again.

1.5 Pedal

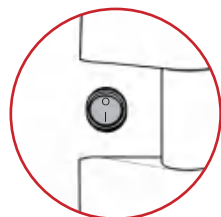
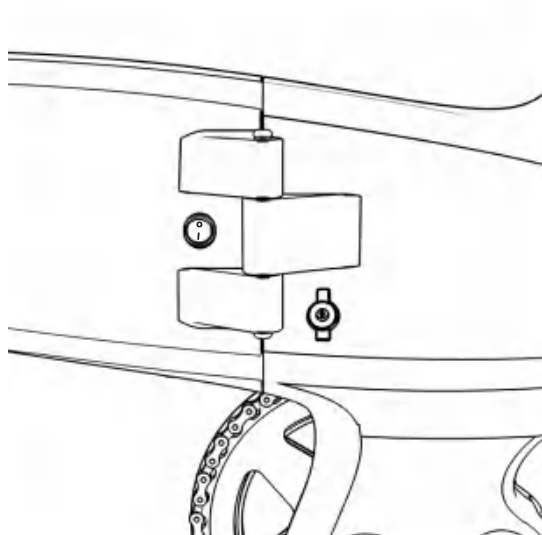
How to assemble

1. Insert the pedal marked "R" into the threaded hole on the crank end on the right side of riding.
2. Hold the pedal with your hand, and turn it clockwise for a few rounds. Then clamp the pedal shaft with the spanner in the package, and turn it clockwise until fastened.
3. Find the L pedal and repeat the above steps (but rotate counterclockwise).
4. If you feel resistance when turning the pedal shaft, immediately remove the pedal to avoid possible damage. Attach the pedal again and make sure the pedal shaft is perpendicular to the threaded hole on the crank. Proceed with the rest of the steps.

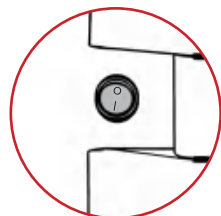


1.6 Battery

How to assemble

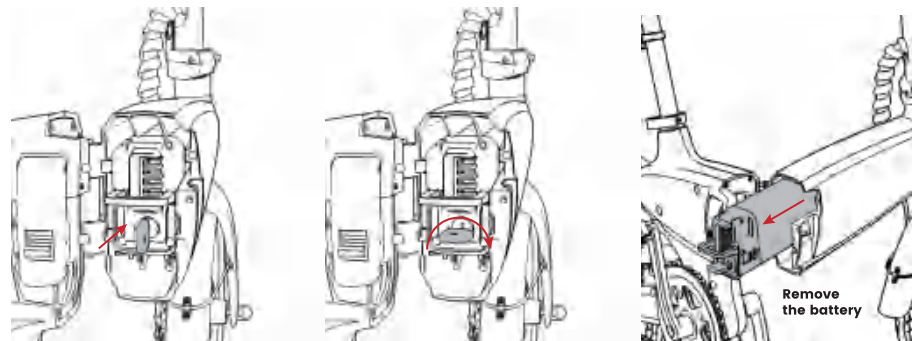


I Battery on



O Battery off

Remove the battery



Remove the battery

1 Switch off the battery.

2 Open the frame quick release and fold the frame.

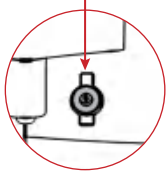
3 Lift the battery handle. Insert the battery key, and turn it clockwise to unlock.

4 Pull out the battery.

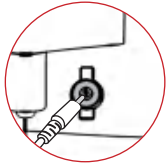
Charge the battery

The battery can be charged via the charging port on the frame (when battery stays inside the frame) or on the battery (after battery is removed from the frame).

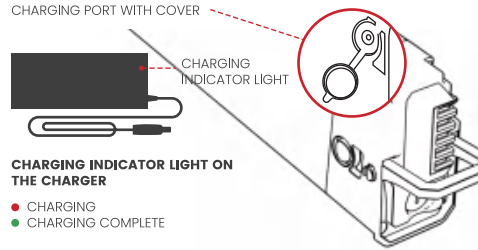
Charging Port



1. When battery stays inside the frame, ensure normal connection of the battery first.
2. Connect the charging cable with the charger, and then to the charging port on the frame.



3. Plug the charger to the mains to start charging. When the charging indicator light is red, the battery is charging. When the light turns green, the charge is complete. A full charge takes 5-6 hours. Disconnect the charger after charging.
4. Close the charging port cover.



To charge the battery away from the frame, remove the battery first.

ATTENTION

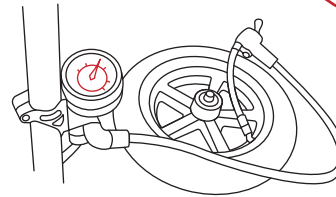
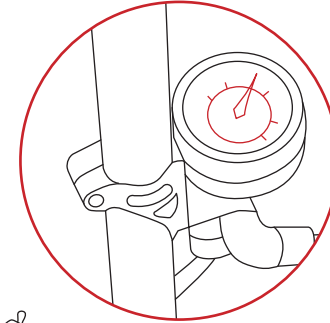
1. Please use the charger from the package.
2. Please keep the charging port cover closed when not charging.
3. Do not switch on the battery while charging.
4. To preserve battery life, always charge the battery fully.
5. Unplug the charger immediately when the indicator light turns green.
6. Do not disassemble the battery.

1.7 Tires

How to assemble

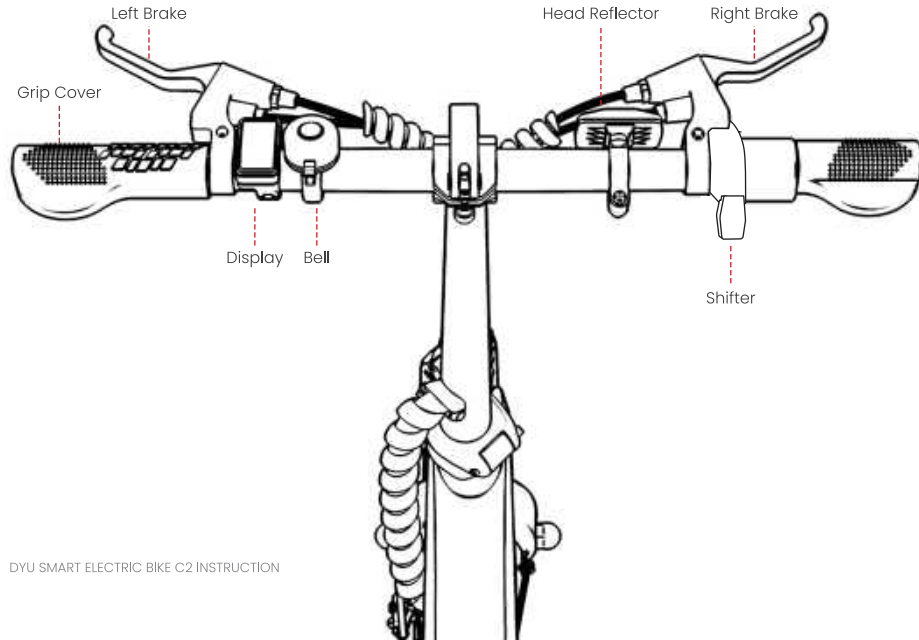
Before every ride, check the tires for proper tire pressure.

Inflate the tires

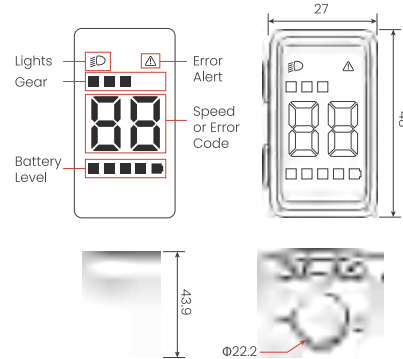


1. Unscrew the valve cap counterclockwise.
2. Clip the pump on the valve, and start pumping. Each push should be even.
3. Stop pumping when there is enough tire pressure, and detach the pump.
4. Screw the valve cap back clockwise.

2. Functions



2.1 Display



The power button (up) and the M button **M** (down) are located on the left side of the display.

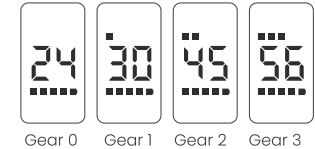
Tap the upper or lower part of the screen to shift among functions.

Power on/off

Ensure normal connection of the display and the controller first. Press and hold the power button for two seconds to turn on or off the display. The display powers off automatically after ten minutes (default) of inactivity.

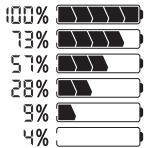
Gear

Tap on the upper or lower part of the screen to shift among four gears: 0-1-2-3.



Battery level

The battery level is indicated in five bars. When the battery is exhausted or nearly, zero bar is shown and the contour of the battery icon flashes. Please charge the battery immediately.



2.2 Setting Mode

In the setting mode, you may change the unit of measurement, and view the wheel size, maximum speed and battery voltage.

How to operate

Within ten seconds after turning on the display, press and hold the M button for two seconds to enter the setting mode.

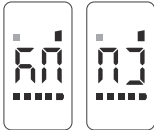
To save the setting and exit the setting mode, press and hold the M button for two seconds again.

Ten seconds of inactivity shall automatically deactivate the setting mode without saving any setting.

In the setting mode, tap the upper and lower parts of the screen to shift among items.

Change the unit system

Unit system is the first item that comes up in the setting mode. The default setting is metric (KM). You may change it to the imperial system (M).



Maximum speed

The maximum speed by default is 25 km/h (or 15.53 mph).



Wheel size

For example, 26 means 26 inches, and 7c means 700 centimeters.



Battery voltage

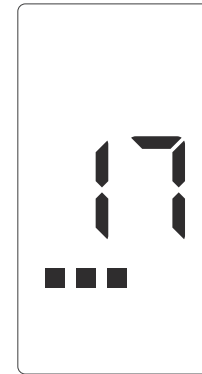
The real-time battery voltage is displayed in two digits with decimal rounded off.



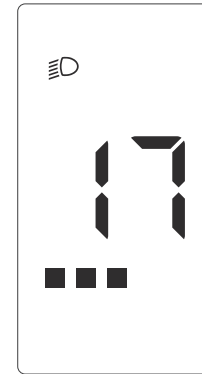
2.3 Lights

How to operate

Press and hold the upper part of the screen for three seconds to turn on or off the headlight and rear light.



Lights off

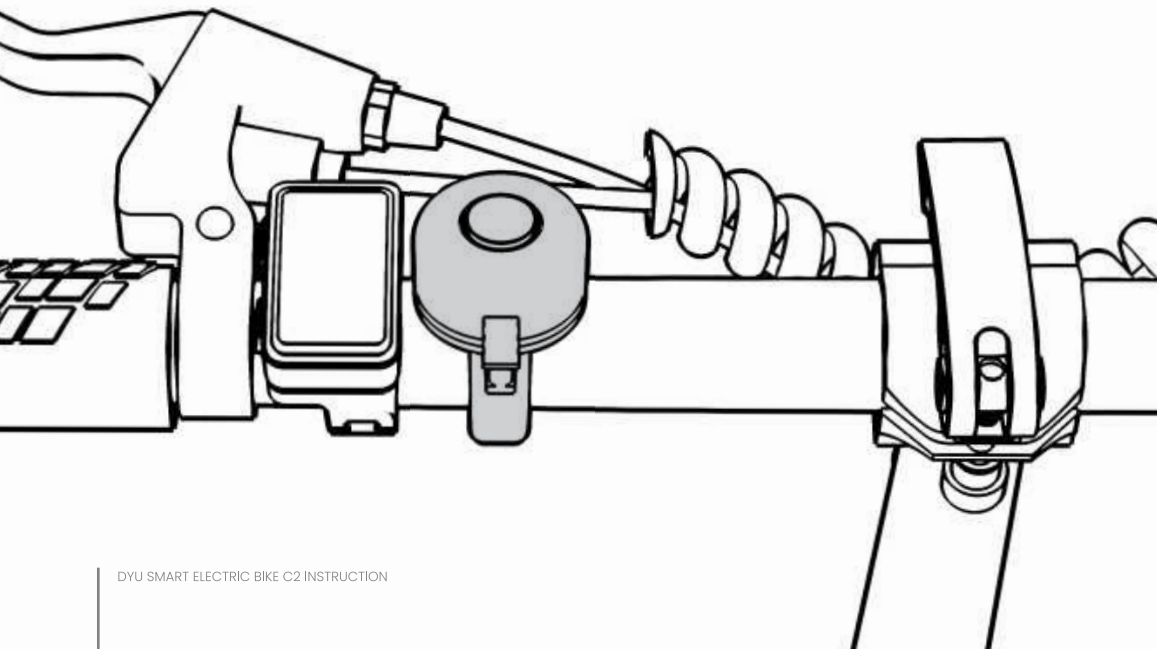


Lights on

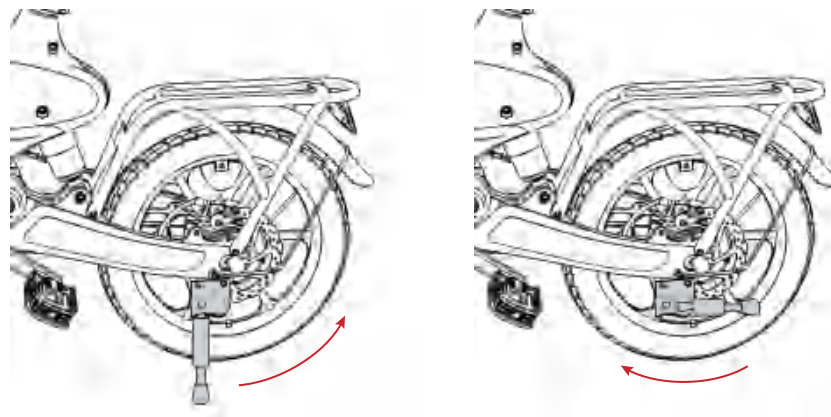
2.4 Bell

How to operate

Push the trigger away from the bell with your thumb, and release to ring the bell.



2.5 Kickstand

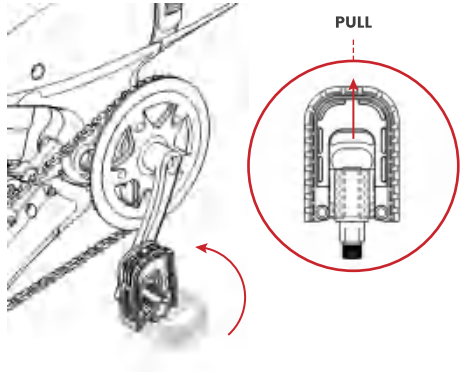


How to operate

1. Kick the kickstand backward with your foot, and it shall lift up to a position parallel to the ground.
2. Gently press down the kickstand towards the ground with your foot, and it shall support the eBike against the ground.

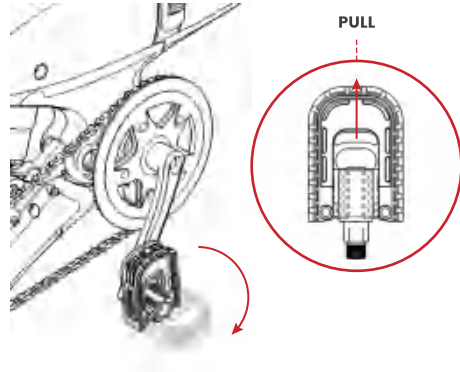
Note: Please be sure to swing the kickstand up before riding.

2.6 Pedals



Fold the pedals

1. Place your finger on the silver peg in the pedal.
2. Pull the pedal away from the peg by hand, and lift to fold the pedal until it is parallel to the crank.



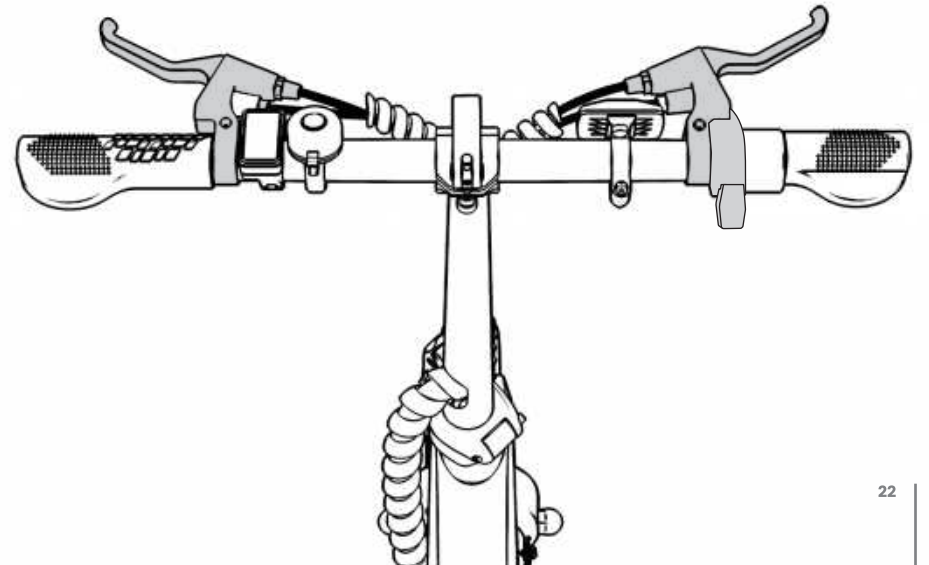
Unfold the pedals

1. Place your finger on the silver peg in the pedal.
2. Pull the pedal away from the peg by hand, and press down to unfold pedal and reset automatically.

2.7 Brake


Brake control

The left brake controls the rear wheel, and the right brake controls the front wheel.




3. Riding

3.1 Riding modes



Sport

Power is off and there is no motor output. Pedal and exercise.



Pedal Assist

When the power is on, shift to Gear 1, 2 or 3. While you are pedaling, the motor also provides power for an easier and more energy-efficient ride.

Note: When your pedaling speed exceeds the maximum speed that the motor provides, the motor is not engaged regardless of the riding mode.

3.2 Pedal assist

When in Gear 1, 2 or 3, gently press the shifter on the righthand side for extra power.

ATTENTION

Always keep your feet on the pedals when riding, whether you need to pedal or not. Riding with your feet dragging on the ground is strictly prohibited.

The maximum speed in each ride may vary, depending on the weather, riding behavior, load, and many other factors. For the test conditions of rated maximum speed, please refer to the Specification toward the end of this manual.

3.3 Riding safety



Please note that in case of any violation of laws in your region or the requirements in this manual, DYU shall not be responsible for any resulting product damage, personal, mental or property damage, and related dispute.

ATTENTION

Although this product is a means of transportation for leisure and entertainment, once it enters the transportation system, it shall be regarded as a motor vehicle with legal rights and responsibilities. Please be sure to learn and understand the local traffic laws before riding.

Please apply common knowledge on traffic. The faster you ride, the longer the braking time and distance which respectively multiplies. While traffic conditions are ever-changing, ride at a safe and slow speed to prevent accidents caused by others. When you are behind pedestrians, please ring the bell but do not startle them (especially children). Remember to slow down when passing a crosswalk to minimize danger.

Before lending this product, please make sure that the borrower is aware of the content in this manual and all applicable laws. The borrower shall have a helmet and other protective equipment ready to wear.

Before each ride, please check for any loose part and abnormal sound. Also check battery level, tire pressure, and the display. In the event of any abnormality, please do not insist on riding but contact customer service on DYU official website immediately for help.

Weather and terrain

1. When riding in rain or snow, the braking distance shall be extended, so please ride slowly. In severe weather such as heavy rain, avoid travelling.
2. Slow down when going downhill or on bumpy roads. On any non-motor vehicle lane, downhill and paved road, the speed shall not exceed 15 km/h (or 9.32 mph).

Caution

1. Do not ride indoors.
2. Do not accelerate while walking your eBike.
3. Always keep your hands on the handlebar.
4. Do not swing wildly from side to side.
5. Please use fitting basket and seat (additional purchase) for carrying goods and passenger.

Check before riding

1. The recommended tire pressure is 35-45 PS.
2. The power circuit, lighting circuit, etc. should be normal.
3. The front and rear brakes should function normally. Pull the brakes and check if they can control the wheels tightly. The reflectors should not be damaged or soiled.
4. When adjusting the handlebar or saddle, be careful not to go beyond the safety marks.

Speed limit



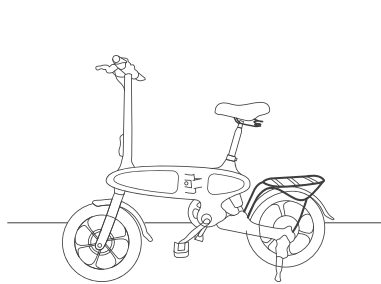
The speed limit may vary in different regions. Please check your local laws and regulations before riding, and strictly abide by them.

4. Storage and maintenance

4.1 Storage

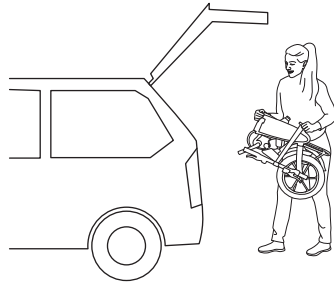
4.1.1 Indoor storage

Keep the eBike unfolded as a normal bike. Alternatively, fold the eBike and store it in a corner. Do not keep the battery connected to the mains while the eBike is in long storage, but charge the battery regularly to maintain battery life.



4.1.2 Storage when traveling

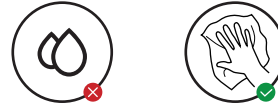
Fold the eBike and place it in the trunk. Take it out and start riding when needed. Do not keep the eBike in the trunk when the temperature is extremely high or low.



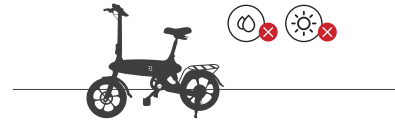
4.2 Maintenance

4.2.1 Cleaning

Never rinse the eBike. Wipe with a damp cloth to clean.



After riding, please store the car in a place without direct sunlight or rain.



4.2.2 Regular inspection

When unpacking

Check all screws in case any is loosened. Reinforce them from time to time to keep them fastened.

Recommended torque: handlebar screw 60–80 kgf.cm (or 52.08–69.44 lbf.in), steering stem screw 175–200 kgf.cm (or 151.90–173.60 lbf.in), saddle screw 175–250 kgf.cm (or 151.90–217.00 lbf.in), and wheel screw 320–450 kgf.cm (or 277.70–390.60 lbf.in).

Regular inspection

Regularly check the tension of the chain, which can be adjusted via the chain regulator.

Check the motor and brake frequently. Do not oil the brake.

Always check the tires for scratches, cracks or excessive wear. The inner tube and valve must be perpendicular to the wheel hub at all times.

4.2.3 Replacement of parts

Tire replacement

Punctured, damaged or excessively worn inner tube and tire must be replaced immediately. For repairing and replacing your tire cover, please contact professional technicians. DYU does not provide replacement.

Modification is prohibited

It is forbidden to modify key structural parts including the frame, front fork and steerer tube, and any electrical parts. The warranty shall not apply to any part and component that is not original from DYU. The owner shall take sole responsibility for any loss or damage due to modification.

4.2.4 Battery and charging

Storage conditions

Never put the battery in acid or alkaline liquid. Keep away from rain, fire, heat and high temperature. Do not connect the positive to negative, or vice versa. Do not damage, disassemble, or short-circuit the battery.

When not in use, store the battery in a dry (relative humidity at 65±20%) and cool (temperature at 10-35°C, or 50-95°F) place. Make sure to charge the battery for two hours each month.

4.2 Maintenance

Charge the battery

Use the original charger from the package to charge the battery. Do not disassemble the charger or replace parts and components in the charger on your own. The charging current should not exceed 2A. The charger must match with the battery type and applicable voltage. Never mix the use of different chargers.

Charge only in a well-ventilated area, away from sun and heat. Connect the charger and battery before plugging the charger into the mains.

When charging, if the charging indicator light appears abnormal, a smell is released, or the charger overheats, stop charging immediately. Service or replace the charger.

To stop charging, unplug from the mains before disconnecting the charger and battery. When the charging indicator turns green, stop charging. Do not leave the charger connected to any AC power source when not charging.

When in use or in storage, avoid water, other liquid, or other foreign matter inside the battery to prevent short circuit. It is advisable not to carry the charger with your eBike. If you must, place the charger in a toolbox upon shock absorption treatment.

Recycle the battery



Waste battery is classified as hazardous. Do not disassemble the waste battery on your own. Please contact professional agency for its recycle.

Specification

Model: C2



| | | |
|------------------|------------------------|-------------------------------------------|
| Packaging | Packing size | 860*420*590 mm(or 33.85*16.53*23.22 in) |
| | Gross weight | 29.6 kg (or 65.26 lbs) |
| | Expanded size | 1420*525*1080 mm(or 55.91*20.67*42.52 in) |
| General | Folded size | 815*435*565 mm(or 32.08*17.13*22.24 in) |
| | Net weight | 23.6 kg (or 52.03 lbs) |
| | Handlebar width | 520 mm (or 20.47 in) |
| | Pedal ground clearance | 115 mm (or 4.53 in) |
| | Max load | 120 kg (or 264.55 lbs) |
| | IP rating | IP54 |
| | Frame material | Magnesium alloy |


| | | |
|----------------|-------------------------------------------------------------------------------------|------------------------------|
| General | Speed in Gear 1/2/3 | 15 km/h (or 9.32 mph) |
| | | 20 km/h (or 12.43 mph) |
| | | 25 km/h (or 15.53 mph) |
| | Brake system (disc brake/ electric brake/ drum brake / other to be specified) | Front: mechanical disc brake |
| | | Rear: mechanical disc brake |
| | Hill climbing capacity | 15 degrees |
| Max speed | 25 km/h (or 15.53 mph) | |
| Motor | Type | High-speed motor |
| | Rated power | 250W |
| | Standard voltage | 48V |
| | Location (hub/ mid-drive/ other in-wheel) | Aluminum hub motor |
| Battery | Type | Power lithium battery |
| | Capacity | 7.5Ah |
| | Voltage | 48V |
| | Charging time | 4-5 hours |
| Range | Throttle mode | 30 km (or 18.64 mi) |

| | | |
|--------------------|----------------------------|-------------------------------|
| Range | Pedal Assist mode | 40 km (or 24.85 mi) |
| Headlight | Type | LED |
| Rear light | Type | LED |
| Charging | Input | AC 100-240V |
| | Output | 54.6V/1.5A |
| Tire | Size | 16×2.5 mm(or 0.630x0.0984 in) |
| | Type | Pneumatic |
| | Tire pressure | 35-40 PSI |
| Seat | Min (height from ground) | 790 mm (or 31.10 in) |
| | Max (height from ground) | 890 mm (or 35.04 in) |
| | Adjustable height | Yes |
| Display | Type (LED/LCD/OLED) | LED digital display |
| Application | Smart application | / |
| Range | Cruising | / |
| | Choice of unit systems | Yes |
| | Speed limit removed | / |
| | Others | / |



Note: The maximum speed may vary, depending on the battery level, load, tire pressure, terrain, lubrication state of the chain and bearings, etc. The ranges are determined upon tests at the ambient temperature of 25°C (or 77°F), at the speed of 15 to 20 km/h (or 9.32 to 12.43 mph), on smooth and firm terrain, with a load of 60 kg (or 132.30 lbs.), and within an uninterrupted period from full to zero battery level. The ranges may vary, depending on your riding behavior, ambient temperature, load, tire pressure, terrain, etc.

Trademark

 is a registered trademark held by DYU Intelligent Mobility Technology Co., Ltd. The company is entitled to all rights pertaining to the trademark. "DYU eBike" is a trademark registered and used by Shenzhen DYU Intelligent Mobility Technology Co., Ltd. Only the branch(es) of the company upon authorization may use the trademark legally.

© 2023 Shenzhen DYU Intelligent Mobility Technology Co., Ltd. All rights reserved.

This manual is applicable to Model C2 only. The product functions of other models may vary due to technical iteration and design difference, so please refer to the actual product. If necessary, please scan the QR code at the end of this manual to get the latest information.

Disclaimer

The company reserves the right of modification and final interpretation of the product model, specification or related information mentioned in this manual.

Any modification or change of the product model, specification or related information mentioned in this manual will not be notified.

Without the prior written permission of the company, the contents of this manual shall not be copied, modified, reproduced, disseminated or published in any form.

Please read this manual carefully before using the product, and operate in accordance with the instructions. Otherwise, the company will not be responsible for product damage or personal or property loss caused by improper use or mistakes.

Contact us



<https://www.facebook.com/DYUCYCLE>

Facebook Group

<https://www.facebook.com/groups/dyucycle>



<https://www.youtube.com/@DYUcycle>



<https://www.instagram.com/dyucycle>



<https://dyucycle.com>





<https://dyucycle.com>

Manufacturer: Shenzhen DYU Intelligent Mobility Technology Co., Ltd

Factory: DYU (Huizhou) Smart Transport Technology Co., Ltd.

Add: Factory Block 1, Sanxu Village Committee and Meihua Village Committee, Luoyang Neighborhood, Boluo County, Huizhou City, Guangdong Province

Tel: 400-080-7170