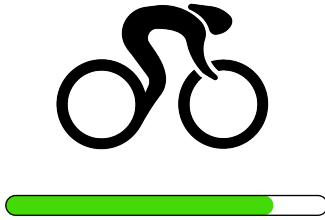


C4 Owner's Manual



Together with DYU, accelerate the global efforts towards carbon neutrality!

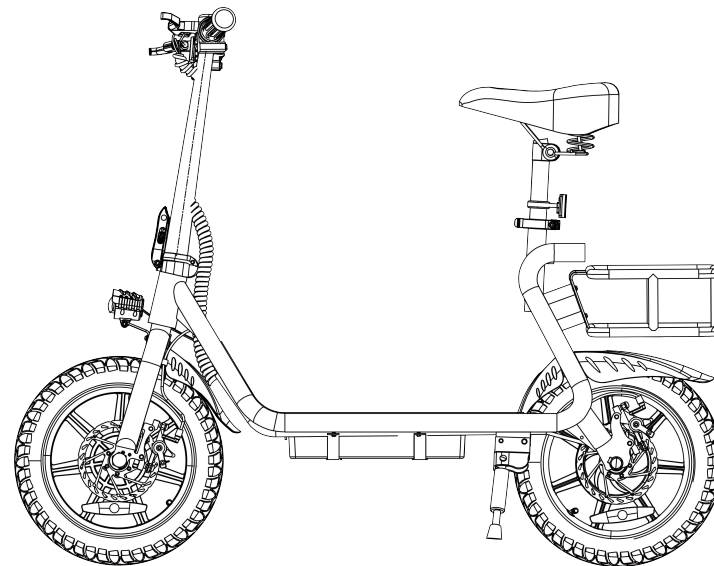
TABLE OF CONTENTS

1. Safety Instructions	01
2. Product and Accessories	03
3. Parts and Functions	05
4. How to Charge	07
5. How to Fold, Unfold, and Assemble	08
6. Maintenance	09
7. Specification	11
8. Statement	12

WELCOME

Thank you for choosing DYU eBike!

This product confirms to UL2849 standard and has obtained the CE and UKCA certifications.
It is an electric bicycle that are eligible for non-motorized vehicle registration and license plate.



All images in this manual are for reference only. Please refer to the actual product.

① Safety Instructions

DYU eBike is a stylish and convenient means of transportation. It is your responsibility to learn about the below before using it.

- An electric bicycle license plate is required being using this product. The pedals must be installed when applying for a license.
- You are obliged to learn about your local laws, regulations and rules relevant to the usage of the product, and obey them.
- Please ride the DYU eBike in a non-motorized lane, and do not exceed the maximum speed specified by local regulations. On roads without any non-motorized lane, please keep to the right (or obey local traffic rules).
- For your safety, please do not modify the DYU eBike. For replacement of any part and component, please contact after-sales customer service.
- Do not park in front of building entrances, evacuation stairs, walkways and safety exits.
- Do not charge or park the eBike inside any residential building. When charging, keep the eBike away from combustible materials. Do not over-charge the battery.
- When carry any passenger or cargo, comply with local laws, regulations and rules.
- Do not lend the eBike to anyone who does not know how to operate it to avoid unnecessary injuries.

Safe Riding Environment

- Avoid riding the eBike in any adverse weather such as rainstorm.
 - Ride carefully and slowly when the road conditions are complicated. If you ride the DYU eBike over any obstacle, uneven ground, slippery surface, surface made of loose materials, steep slope or sharp turn at a high speed, you may lose control of your vehicle, resulting in a collision, fall and/or injury.
 - When riding in rain or snow, the tires shall encounter less resistance, the braking distance shall increase, and the speed shall not be easy to control, making it easier to lose control of the vehicle.
- To ensure safe riding, please ride carefully on normal dry road surfaces.

Competent Rider

The following persons should not ride the DYU eBike:

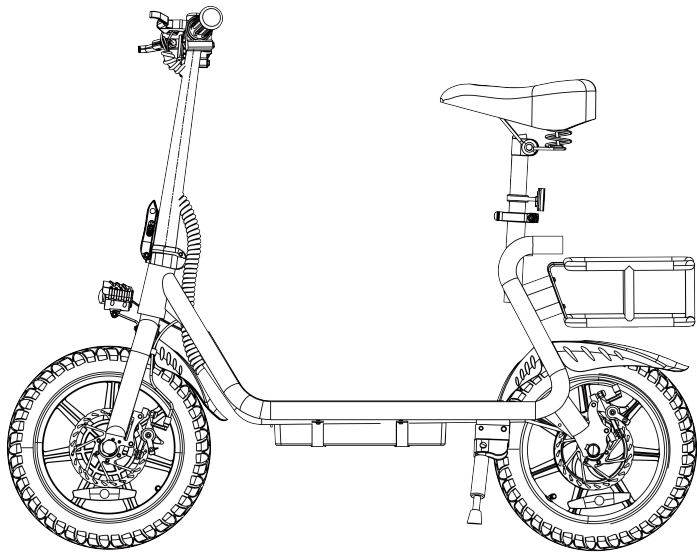
- ① Persons taking alcohol or drugs or under the influence of either
- ② Persons who are unable to engage in strenuous physical activities due to illness
- ③ Persons whose weight exceeds the nominal load
- ④ Persons who are pregnant
- ⑤ Persons under 16 years of age
- ⑥ Persons with mental fatigue

Preparation before Riding

- Check for any loose fastener and damaged part before riding.
- Ensure that the power and lighting circuits are in good condition.
- Ensure that the front and rear brake levers, brake cables and actual braking are working properly.
- Ensure that the handlebar and front and rear wheels are stable, free of shaking, and working properly.
- Check for any broken reflector.
- Ensure any rider of this eBike has read this manual before riding.
- Any rider of this eBike must wear a helmet and other protective gear.
- Do not use this eBike to carry heavy objects.
- When the battery is low (less than two bars displayed), please use the original charger to charge the battery in time.
- Check the tire pressure, and ensure compliance with the recommended specification. Ensure the tire tread is intact.

② The Product and Accessories

The eBike



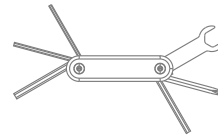
***Please save the Certificate of Conformity issued by the manufacturer for eBike registration and license plate application.**

Please carefully check whether the items in the box are complete and intact. In the event of any missing or broken items or any other after-sales issue, please call 400-080-7170 for after-sales customer service.

Accessories

**All images in this manual are for reference only.
Please refer to the actual product.**

Spanner & Hex Key



Charger



Charging Cable



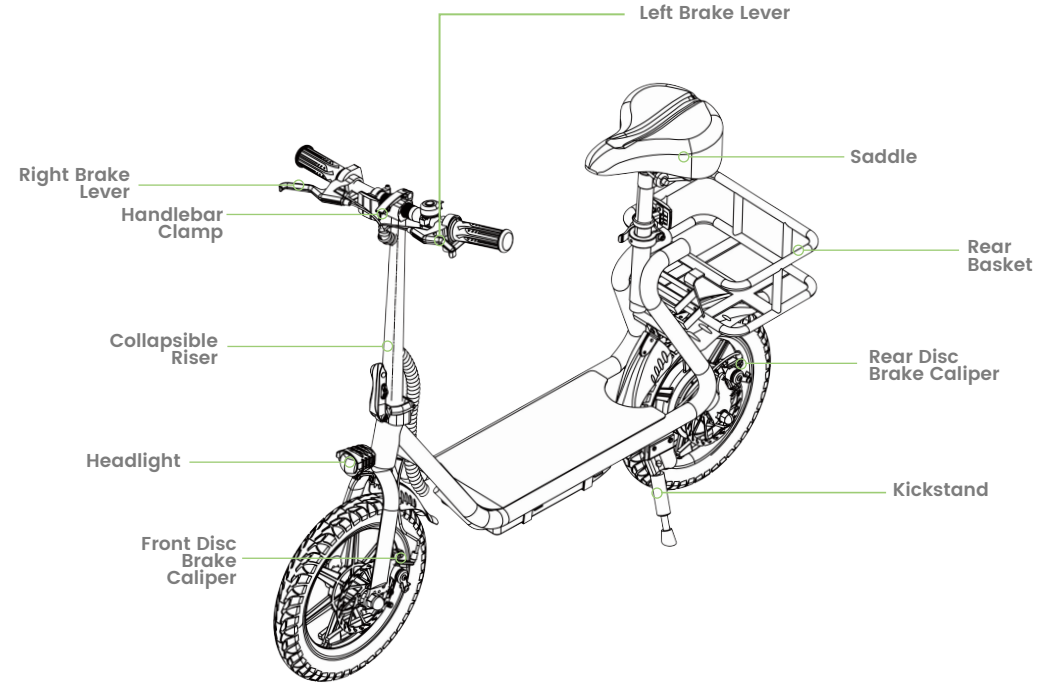
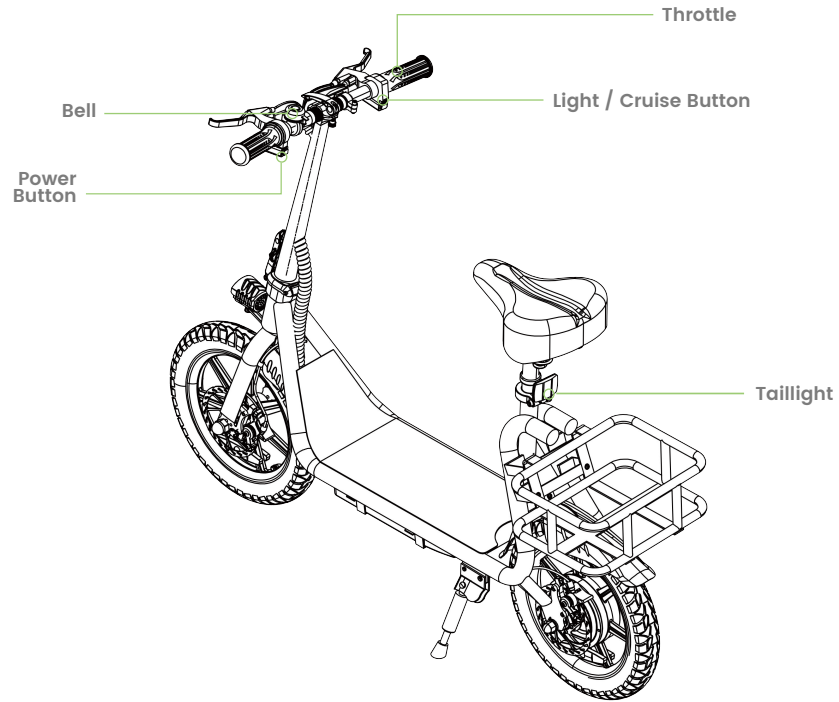
Owner's Manual



Warranty Card

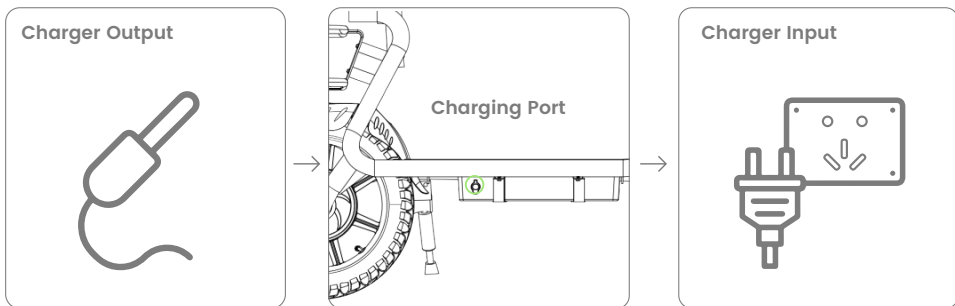


③ Parts and Functions



④ How to Charge

*Low or zero battery level before the first ride is normal, due to self-consumption during transportation and storage. Please follow the steps below to charge the battery.



Connect the charger output to the charging port on the eBike first, then connect the charger input to the mains. Stop charging when the battery is full.

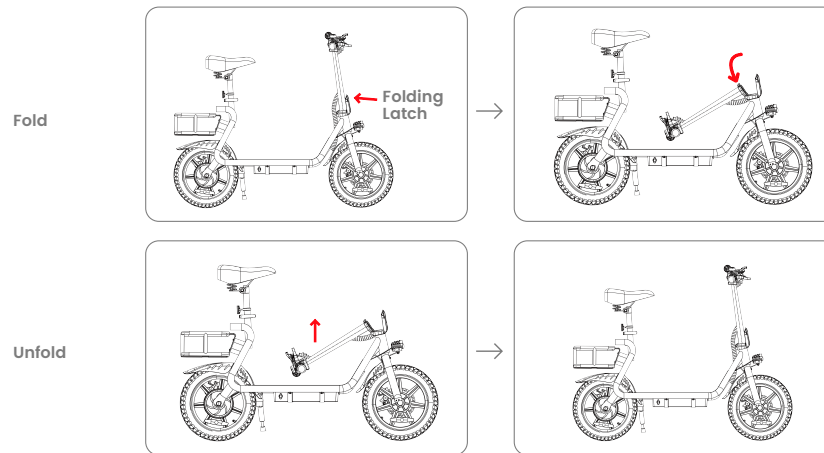
⚠ WARNING

- Please use the original charger for charging, otherwise the battery may be damaged or fire risk.
- Do not use the battery if it is broken or waterlogged.
- Do not connect the charger with the charging port or charging cable wet.
- Proper use and maintenance of batteries: Used batteries should not be dismantled without

*The red light of the charger is long on to indicate that it is charging, and the green light is always on when charging is completed. Please disconnect the power in time when the charge is full.

⑤ How to Fold, Unfold, and Assemble

Remove the bike from the box and place it on a smooth surface and then support the parking stand. Lift the handlebar from the bottom to the top to close the folding handle, then pull the riser handle to adjust the angle of the handlebar. Close the riser handle when the adjustment is complete.



⑥ Maintenance

eBike Cleaning and Storage

Cleaning

Turn off the power before cleaning the vehicle. Please use water or neutral detergent to wipe your eBike clean.

Do not rinse the eBike.

It is strictly prohibited to use metal brushes, sandpaper, etc. for cleaning the surface of the eBike, because they may scratch the surface of the parts.

Storage

Park your eBike in a dry, cool space indoors. Avoid direct sunlight and rain, or the parts may rust and the service life may shorten. Disconnect the lithium-ion battery plug when storing for a long period of time to prevent over-discharge of the battery.

Parts Maintenance

Motor

1. When riding through water, be careful and keep the axis of the rear wheel above water.
2. Regularly examine the tightness around the motor. Fasten any loose nut.
3. After each ride, give your eBike a simple wipe to keep it clean. Do not rinse it.
4. Check for any scratch on the motor cable and any strange noise when the motor is running. For any abnormality, please contact after-sale customer service.

Battery

1. For any abnormality with the battery, please contact after-sale customer service.
2. It is not advisable to deplete the battery. Keep the battery level at 1 bar or above and charge in time to extend the service life.
3. It is strictly prohibited to disassemble the battery, because electric shock, short circuit, fire, explosion and other safety accidents may occur.
4. Full display of the battery indicator bars or green light on the charger indicates that the battery is fully charged.
5. The recommended ambient temperature for eBike storage is 10°C–30°C (or 50°F–86°F).
6. When the eBike will not be used for a long time, charge the battery fully, and store the vehicle in a dry and ventilated space. Remember to charge once every two months.

Charger

Before charging:

1. The charger should be used exclusively for the eBike. It is strictly prohibited to use it for any non-rechargeable battery.
2. Do not carry the charge in any ride, because bumping may loosen electronic components inside the charger.
3. In the event of any damaged cable or loose connector, do not use the charger. Please contact after-sales

When charging:

1. Ensure the eBike is parked in a safe space. Avoid rain and direct sunshine.
2. Connect the charger output to the charging port on the eBike before connecting the charger input to the mains.
3. In the event of abnormal indicator light, strange odor or overheated surface, stop charging immediately. Please contact after-sales customer service.

WARNING

1. Ensure adequate ventilation when charging. Keep away from any explosive gas to prevent fire.
2. The voltage may be high in the charger. Do not disassemble the charger or replace any component therein.
3. Avoid long-term connection to the mains. Do not connect the charger to the mains without connecting to the eBike. Do not use the charger to charge multiple vehicles at the same time.
4. Always handle the charger gently.

⑦ Specification

Category	Item	
Basic Information	Brand	DYU eBike
	Expanded size (L x W x H)	1215*470*960 mm(or 47.83*18.50*37.80 in)
	Folded size (L x W x H)	1215*330*600mm(or 47.83*12.99*23.62 in)
	Net weight	20.7 kg (or 45.64 lbs.)
Riding Conditions	Nominal load	120 kg (or 264.55 lbs.)
	Suitable age	≥16 years
	Wheelbase	850 mm (or 33.46 in)
	Ground clearance	/
Overall	Max design speed	32 km/h (or 19.88 mph)
	Range in throttle mode	40±2 km (or 11.18±1.24 m)
	Range in pedal assist mode	/
	Suitable terrain	Pavement
	Operating temperature	-10°C - 40°C (or 14°F - 104°F)
	Storage temperature	10°C - 30°C (or 50°F - 86°F)
	Charging temperature	10°C - 35°C (or 50°F - 95°F)
Battery	IP rating	IP54
	Type	Lithium-ion
	Rated capacity	10Ah
	Rated energy	360Wh
	Charging time	6-7 hours
Motor	Rated voltage	36V
	Type	Permanent magnet
	Rated power	350W
	Rated speed	335 r/min
	Rated voltage	36V
Charger	Input voltage	100-240V AC
	Output voltage	42V DC
	Output current	1.5A
Controller	Under voltage value	31±0.5V
	Over current value	15±1A

Category	Item	
Others	Tires	14*2.125
	Front brake	Disc
	Rear brake	Disc

The data is determined upon tests at the ambient temperature of 25°C (or 77°F), at the speed of 15 km/h (or 9.32 mph), on flat and smooth terrain, and with a load of 70 kg (or 154.32 lbs).

⑧ Statement

- Please read this manual carefully before riding. Do not attempt to ride the eBike if you are unable to follow the instructions.
- When you lend your eBike to others, it is necessary for you to deliver this manual together with the eBike, and inform them of the usage and the safety precautions.
- You are obliged to learn all applicable laws, regulations and rules in your region regarding the riding of your eBike, including the provisions on whether or not you can carry any passenger or cargo. Strictly abide by all applicable laws, regulations and rules. It is prohibited to ride in areas where riding is not allowed under local laws, regulations or rules.
- It is strictly prohibited for persons under the age of 16 to ride the eBike. It is strictly prohibited for minors to carry any passenger on the eBike.
- When you receive the product, please immediately check whether the product and accessories are intact and complete. Due to the special needs of the vehicle during transportation, we use the packing box to ensure its safety. For you to better access our service, we recommend that you keep the packing box for at least 15 days from the date of signing the receipt of the product.
- All accessories must be installed correctly as instructed in this manual. Improper installation may bring risks. Please turn off the power before installing or repairing. When installing parts, please use appropriate force. Excessively loose or tight installation may lead to damage or failure of the product.
- This product may contain detachable parts. Keep away from children to prevent swallowing or ingestion of any part.
- Before use, please be sure to examine the tire performance, the battery level and the overall assembling according to the instruction manual. No part including handlebar, tire, brake, etc. should be loose or

damaged.

9. In the event of low or zero battery level, do not ride the eBike. Please make sure that the battery level is sufficient before each ride to prevent danger.

10. Wear a helmet and other safety equipment throughout the ride.

11. Ride the eBike on non-motorized lane only. Stay alert when riding. Speeding and overloading are strictly prohibited. Stunt when riding is prohibited.

12 Please do not park the product in any area where parking is prohibited such as safety exit and evacuation route.

13. Please use the original battery pack and charge it with the original charger, otherwise damage to the charger, damage to the battery or other accident may occur.

14. When charging, please plug the power cord into the correct socket. Avoid contact with children and pets. Keep away from flammable objects. In the event of damaged battery or water in the battery, charging is prohibited. It is also prohibited to charge the eBike when the socket is wet. Do not over-charge the eBike.

15. It is strictly prohibited to immerse the battery or the eBike in water or expose it to heavy rain including riding in the rain to avoid water in the battery and circuit chip.

16. When the eBike will not be used for a long time, please charge it fully before storage. Ensure to charge once every two months, otherwise the battery may deplete and cause damage.

17. Please do not store the eBike in any ambient temperature above 50°C (or 122°F) or below -20°C (or -4°F), otherwise irreversible capacity degradation of the battery may occur.

18. Avoid storing the eBike in a location where there is a risk of drop. The dropping of the eBike may result in uncontrollable damage to the battery which may lead to leakage, heat, smoke, fire or explosion.

19. Do not attempt to damage the battery as it contains substances that are hazardous to health. The battery is not a user-serviceable part. In the event of strange odor, heat, deformation or other abnormality, please stop using the battery immediately. Stay away from the battery, and contact the after-sales customer service.

20. WARNING: If the performance of the battery deteriorates or fails to work properly due to the user's failure to carry out normal usage and maintenance of the battery, warranty shall not apply.

21. Improper disposal of used batteries may seriously pollute the environment. Please do not discard this battery pack irresponsibly but help protect the natural environment. Please observe local laws and regulations when disposing of the battery pack.

22. Please avoid using any non-original accessory. In the event of any unauthorized disassembly, cracking and modification of the product and components, the resulting damage and loss will be borne by you only.

23. For any item or issue not covered by the warranty, you will need to bear the cost and purchase corresponding services.

24. When the product or any part needs repair or replacement, please contact after-sales customer service.

25. Due to the differences in the laws, regulations and policies of each country or region on the licensing management and government control of electric bicycles, please learn about your local rules, and consult competent agencies when necessary, before purchasing and using this product. In the event of prohibited use of this product on the road normally or any other loss due to legal reasons on registration and licensing, the Company shall not take any responsibility. The company will not be responsible for any loss or damage caused by the inability to license the product.

26. Product data and parameters vary by model and are subject to change without notice.

27. Within the scope permitted by law, the Company reserves the right to interpret and explain this statement.

28. This statement applies to the laws of the People's Republic of China (excluding the laws of Hong Kong Special Administrative Region, Macao Special Administrative Region and Taiwan region). The Company shall not be liable for any claims, liabilities or damages arising from or in connection with any breach by the consumer of the terms of the above statement. Any unforeseen or unavoidable risks encountered while riding the eBike shall be the sole responsibility of the rider.

Thank you again for choosing and trusting this product.



WeChat Official Account

Manufacturer: Shenzhen DYU Intelligent Mobility Technology Co., Ltd

Factory: Huizhou F-Wheel E-Mobility Technology Co., Ltd.

Factory Address: Block 1, Factory 4, Sanxu Village Committee and Meihua Village Committee,
Luoyang Neighborhood, Boluo County, Huizhou City, Guangdong Province

Telephone: 400-080-7170