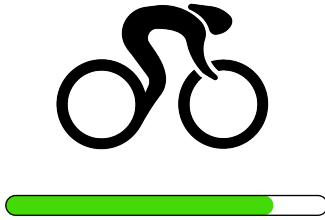


T1 Owner's Manual



Together with DYU, accelerate the global efforts towards carbon neutrality!

TABLE OF CONTENTS

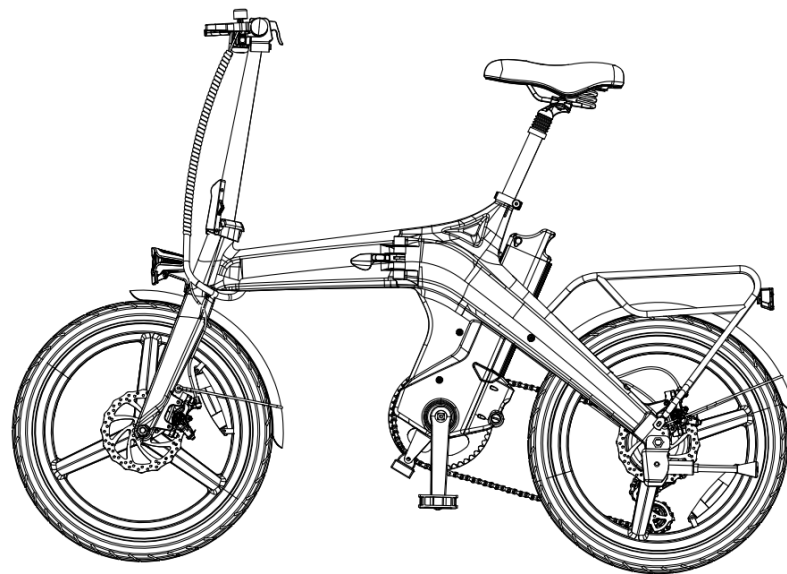
1. Safety Instructions	01
2. Product and Accessories	03
3. Components	05
4. How to Charge	09
5. How to Assemble & How to Fold	10
6. Maintenance	11
7. Specification	13
8. Statement	14

WELCOME

Thank you for choosing DYU eBike!

This product confirms to UL2849 standard and has obtained the CE and UKCA certifications.

It is an electric bicycle that are eligible for non-motorized vehicle registration and license plate.



All images in this manual are for reference only. Please refer to the actual product.

① Safety Instructions

DYU eBike is a stylish and convenient means of transportation. It is your responsibility to learn about the below before using it.

- An electric bicycle license plate is required being using this product. The pedals must be installed when applying for a license.
- You are obliged to learn about your local laws, regulations and rules relevant to the usage of the product, and obey them.
- Please ride the DYU eBike in a non-motorized lane, and do not exceed the maximum speed specified by local regulations. On roads without any non-motorized lane, please keep to the right (or obey local traffic rules).
- For your safety, please do not modify the DYU eBike. For replacement of any part and component, please contact after-sales customer service.
- Do not park in front of building entrances, evacuation stairs, walkways and safety exits.
- Do not charge or park the eBike inside any residential building. When charging, keep the eBike away from combustible materials. Do not over-charge the battery.
- When carry any passenger or cargo, comply with local laws, regulations and rules.
- Do not lend the eBike to anyone who does not know how to operate it to avoid unnecessary injuries.

Safe Riding Environment

- Avoid riding the eBike in any adverse weather such as rainstorm.
 - Ride carefully and slowly when the road conditions are complicated. If you ride the DYU eBike over any obstacle, uneven ground, slippery surface, surface made of loose materials, steep slope or sharp turn at a high speed, you may lose control of your vehicle, resulting in a collision, fall and/or injury.
 - When riding in rain or snow, the tires shall encounter less resistance, the braking distance shall increase, and the speed shall not be easy to control, making it easier to lose control of the vehicle.
- To ensure safe riding, please ride carefully on normal dry road surfaces.

Competent Rider

The following persons should not ride the DYU eBike:

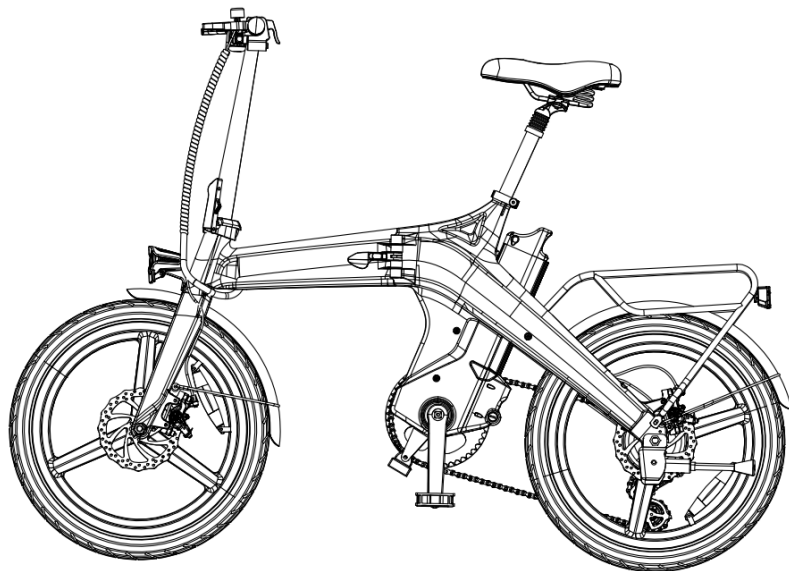
- ① Persons taking alcohol or drugs or under the influence of either
- ② Persons who are unable to engage in strenuous physical activities due to illness
- ③ Persons whose weight exceeds the nominal load
- ④ Persons who are pregnant
- ⑤ Persons under 16 years of age
- ⑥ Persons with mental fatigue

Preparation before Riding

- Check for any loose fastener and damaged part before riding.
- Ensure that the power and lighting circuits are in good condition.
- Ensure that the front and rear brake levers, brake cables and actual braking are working properly.
- Ensure that the handlebar and front and rear wheels are stable, free of shaking, and working properly.
- Check for any broken reflector.
- Ensure any rider of this eBike has read this manual before riding.
- Any rider of this eBike must wear a helmet and other protective gear.
- Do not use this eBike to carry heavy objects.
- When the battery is low (less than two bars displayed), please use the original charger to charge the battery in time.
- Check the tire pressure, and ensure compliance with the recommended specification. Ensure the tire tread is intact.

② The Product and Accessories

The eBike

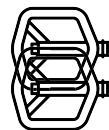


***Please save the Certificate of Conformity issued by the manufacturer for eBike registration and license plate application.**
Please carefully check whether the items in the box are complete and intact. In the event of any missing or broken items or any other after-sales issue, please call 400-080-7170 for after-sales customer service.

Accessories

All images in this manual are for reference only.
Please refer to the actual product.

Pedals



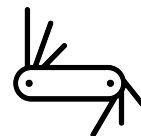
Charger



Charging Cable



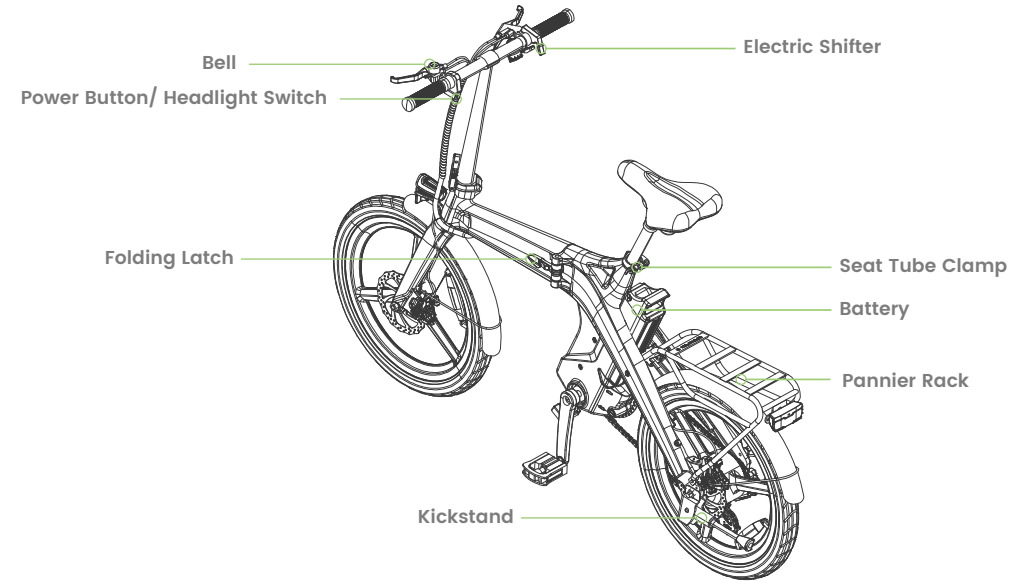
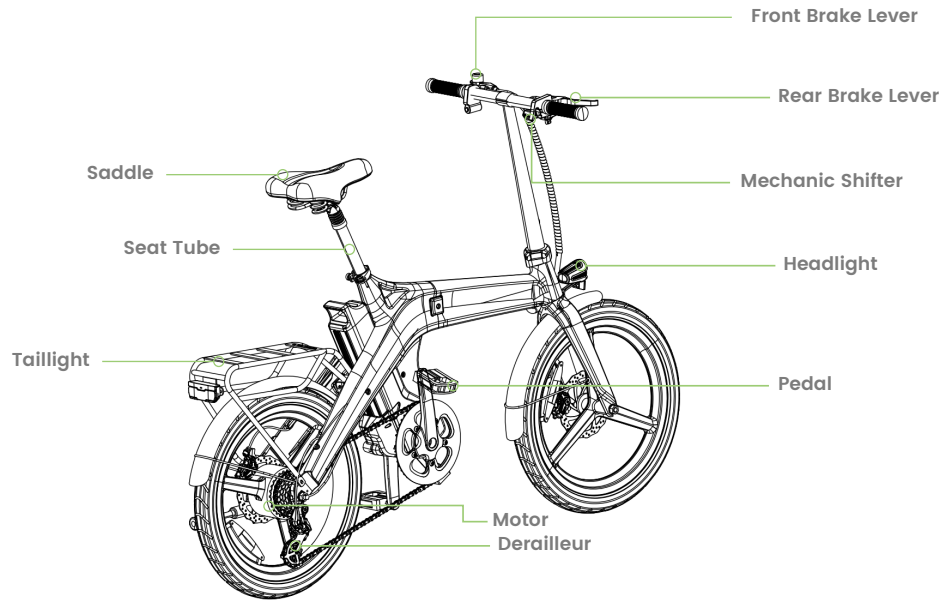
Multifunctional Spanner

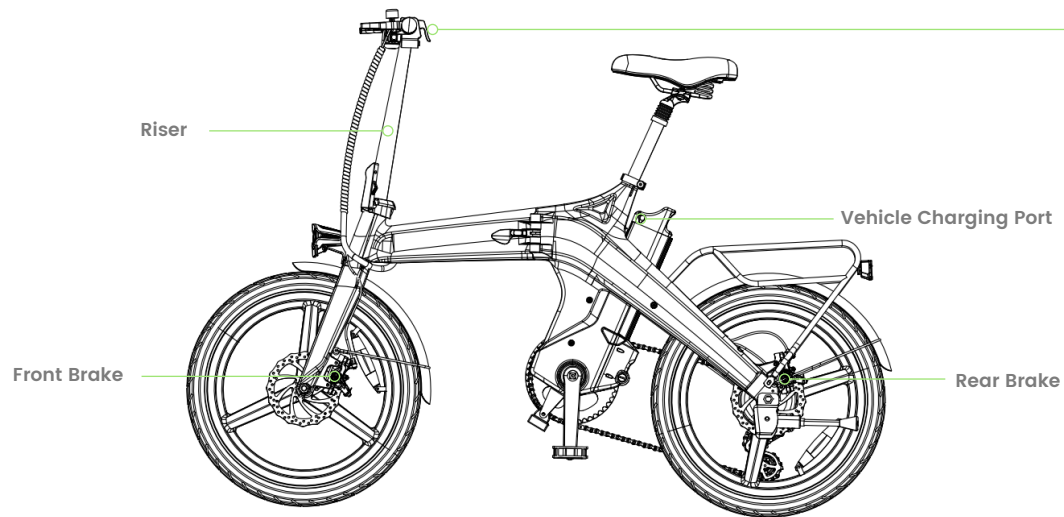


Mudguard



③ Components





Power Button

Multifunctional Button

Electric Shifter

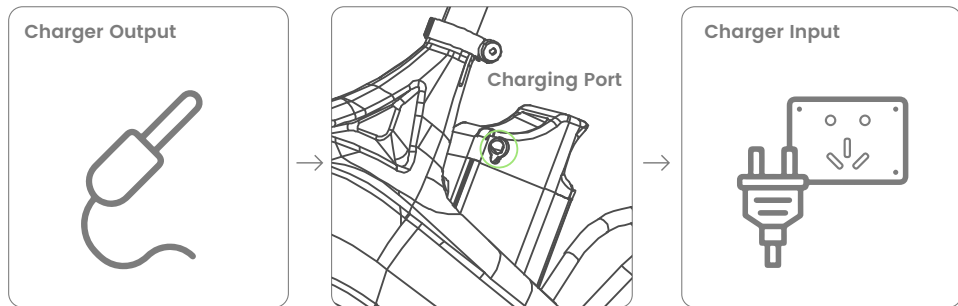
*Three fully lit bars indicate full battery level.

*Please charge the eBike immediately when only one bar is lit.

The complex block contains three diagrams. The first is a vertical rectangular button with a circular center, labeled 'Power Button'. The second is a similar button with a small protrusion on the side, labeled 'Multifunctional Button'. The third is a larger, more complex button with a circular area and a curved end, labeled 'Electric Shifter'. To the right of these diagrams are two lines of text: '*Three fully lit bars indicate full battery level.' and '*Please charge the eBike immediately when only one bar is lit.'

④ How to Charge

Due to the self-depletion of the battery during transport and storage, low or zero battery level is normal before the first ride. Please follow the steps below to charge the battery.



Please connect the charger output to the charging port on the DYU eBike first, and then connect the charger input to the mains to start charging. Disconnect upon a full charge.

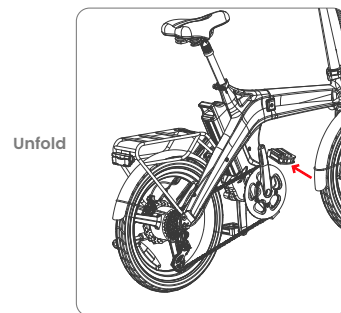
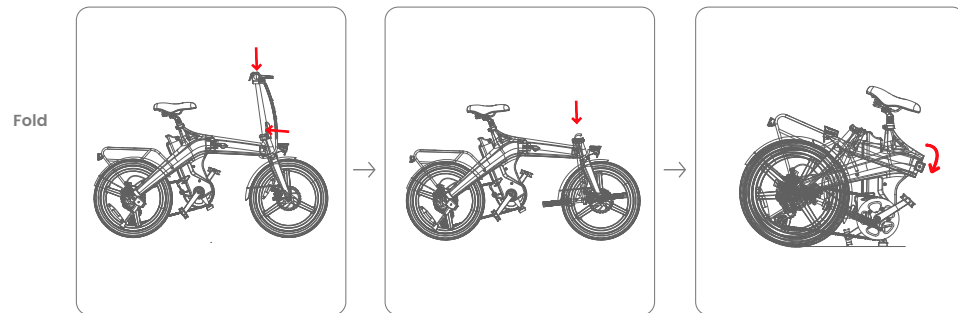
⚠ WARNING

- Please use the original charger to charge the battery, otherwise the battery may be damaged or may start a fire.
- Do not use the battery if it is damaged or waterlogged.
- Do not connect the charger when the charging port or charging cable is wet.
- Use and maintain the battery properly. Do not dismantle any battery without authorisation.

*Red light indicates charging in process. The light turns green when the charge is complete, and please disconnect in time.

⑤ How to Assemble & How to Fold

Take your DYU eBike out of the package, place it on the flat and firm ground, and use the kickstand to park the eBike. Lift the handlebar, align, and close the folding latch. Open the riser latch, adjust the height of the handlebar, and close the riser latch.



Insert the pedal marked "R" into the crank. Hold the pedal with your hand, and turn it clockwise for a few rounds. Then clamp the pedal shaft with the spanner in the package, and turn it clockwise until fastened. Find the L pedal and repeat the above steps (but rotate counterclockwise).

Note: If you feel resistance when turning the pedal shaft, immediately remove the pedal to avoid possible damage. Attach the pedal again and make sure the pedal shaft is perpendicular to the threaded hole on the crank.

Screw in the right pedal clockwise, and the left counter-clockwise.

⑥ Maintenance

For DYU eBike

Cleaning

Switch off the DYU eBike before wiping it with water or neutral detergent to clean. Do not use strong water jet to rinse it.

It is strictly prohibited to use any metal brush, sandpaper, etc. to clean the surface, or scratch may ensue.

Storage

Park the DYU eBike in a dry, cool space indoors. Avoid direct sunshine or rain, or the parts may rust and the service life may shorten. To prevent over-discharge, disconnect the lithium-ion battery before long-term storage.

Parts Maintenance

Motor

1. When wading, be careful and keep the axis of the rear wheel above water.
2. Regularly check around the motor for any loose part. Tighten any loose nut.
3. Clean the DYU eBike after each ride. Do not use strong water jet to rinse it.
4. Check the motor cable for any scratch. Listen for any abnormal noise when using the motor. In the event of any abnormality, please contact the after-sales customer service.

Battery

1. Please contact after-sales customer service if any abnormality with the battery occurs.
2. It is not advisable to deplete the battery. Charge it when the battery level is down to one bar, so as to prolong the service life.
3. It is strictly prohibited to disassemble the battery without authorisation, because electric shock, short circuit, fire, explosion, or other safety accidents may occur.
4. Full battery level on the display and green light on the charger indicate that the battery is fully charged.
5. The recommended ambient temperature for storage is 0°C -35°C (or 32 - 95°F);
6. Before long-term storage, fully charge the battery, and place the DYU eBike in a dry and ventilated place. Remember to charge it with the charger once every two months.

Charger

Before charging:

1. Use the original charger for this DYU eBike only. It is strictly prohibited to charge any non-rechargeable battery with this charger.
2. Do not carry the charger with the DYU eBike. Bumping may loosen electronic components inside the charger.
3. In the event of any damaged cable or loose connection, stop using the charger, and please contact after-sales customer service.customer service.

When charging:

1. Ensure the eBike is parked in a safe space. Avoid rain or direct sunshine.
2. Connect the charger to the charging port before connecting to the mains.
3. In the event of any abnormal light indication, strange odour, or overheated surface, disconnect and stop charging immediately, and please contact after-sales customer service.

WARNING

1. Ensure sufficient ventilation when charging. Keep away from any explosive gas to prevent fire.
2. There is high voltage inside the charger. Do not disassemble or replace the devices inside the charger without authorisation.
3. Avoid connecting the charger to the mains for a long time, or when not charging. Do not charge more than one eBike at a time.
4. Always handle the charger gently.

⑦ Specification

Category	Item	
Basic Information	Brand	DYU eBike
	Expanded size (L x W x H)	1520*541*1087 mm (or 59.84*21.30*42.80 in)
	Folded size (L x W x H)	885*445*875 mm (or 34.84*17.52*34.45 in)
	Net weight	23.1 kg (or 50.93 lbs.)
Riding Conditions	Nominal load	75 kg (or 165.35 lbs.)
	Suitable age	≥16 years
	Wheelbase	1010 mm (or 39.76 in)
	Ground clearance	/
Overall	Max design speed	25 km/h (or 15.53 mph)
	Range in throttle mode	40 km (or 24.85 m)
	Range in pedal assist mode	60 km (or 37.28 m)
	Suitable terrain	Pavement
	Operating temperature	-10°C - 40°C (or 14°F - 104°F)
	Storage temperature	10°C - 30°C (or 50°F - 86°F)
	Charging temperature	10°C - 35°C (or 50°F - 95°F)
Battery	IP rating	IP54
	Type	Lithium-ion
	Rated capacity	10Ah
	Rated energy	360Wh
	Charging time	5 hours
Motor	Rated voltage	36V
	Type	Permanent magnet
	Rated power	250W
	Rated speed	270 r/min
Charger	Rated voltage	36V
	Input voltage	240V AC
	Output voltage	42V DC
Controller	Output current	2A
	Under voltage value	30±0.5V
	Over current value	15±1A

Category	Item	
Others	Tires	20*2.125
	Front brake	Disc
	Rear brake	Disc
	Grip cover material	PVC

The data is determined upon tests at the ambient temperature of 25°C (or 77°F), at the speed of 15 km/h (or 9.32 mph), on flat and smooth terrain, and with a load of 70 kg (or 154.32 lbs).

⑧ Statement

- Please read this manual carefully before riding. Do not attempt to ride the eBike if you are unable to follow the instructions.
- When you lend your eBike to others, it is necessary for you to deliver this manual together with the eBike, and inform them of the usage and the safety precautions.
- You are obliged to learn all applicable laws, regulations and rules in your region regarding the riding of your eBike, including the provisions on whether or not you can carry any passenger or cargo. Strictly abide by all applicable laws, regulations and rules. It is prohibited to ride in areas where riding is not allowed under local laws, regulations or rules.
- It is strictly prohibited for persons under the age of 16 to ride the eBike. It is strictly prohibited for minors to carry any passenger on the eBike.
- When you receive the product, please immediately check whether the product and accessories are intact and complete. Due to the special needs of the vehicle during transportation, we use the packing box to ensure its safety. For you to better access our service, we recommend that you keep the packing box for at least 15 days from the date of signing the receipt of the product.
- All accessories must be installed correctly as instructed in this manual. Improper installation may bring risks. Please turn off the power before installing or repairing. When installing parts, please use appropriate force. Excessively loose or tight installation may lead to damage or failure of the product.
- This product may contain detachable parts. Keep away from children to prevent swallowing or ingestion of any part.
- Before use, please be sure to examine the tire performance, the battery level and the overall assembling according to the instruction manual. No part including handlebar, tire, brake, etc. should be loose or

damaged.

9. In the event of low or zero battery level, do not ride the eBike. Please make sure that the battery level is sufficient before each ride to prevent danger.

10. Wear a helmet and other safety equipment throughout the ride.

11. Ride the eBike on non-motorized lane only. Stay alert when riding. Speeding and overloading are strictly prohibited. Stunt when riding is prohibited.

12. Please do not park the product in any area where parking is prohibited such as safety exit and evacuation route.

13. Please use the original battery pack and charge it with the original charger, otherwise damage to the charger, damage to the battery or other accident may occur.

14. When charging, please plug the power cord into the correct socket. Avoid contact with children and pets. Keep away from flammable objects. In the event of damaged battery or water in the battery, charging is prohibited. It is also prohibited to charge the eBike when the socket is wet. Do not over-charge the eBike.

15. It is strictly prohibited to immerse the battery or the eBike in water or expose it to heavy rain including riding in the rain to avoid water in the battery and circuit chip.

16. When the eBike will not be used for a long time, please charge it fully before storage. Ensure to charge once every two months, otherwise the battery may deplete and cause damage.

17. Please do not store the eBike in any ambient temperature above 50°C (or 122°F) or below -20°C (or -4°F), otherwise irreversible capacity degradation of the battery may occur.

18. Avoid storing the eBike in a location where there is a risk of drop. The dropping of the eBike may result in uncontrollable damage to the battery which may lead to leakage, heat, smoke, fire or explosion.

19. Do not attempt to damage the battery as it contains substances that are hazardous to health. The battery is not a user-serviceable part. In the event of strange odor, heat, deformation or other abnormality, please stop using the battery immediately. Stay away from the battery, and contact the after-sales customer service.

20. WARNING: If the performance of the battery deteriorates or fails to work properly due to the user's failure to carry out normal usage and maintenance of the battery, warranty shall not apply.

21. Improper disposal of used batteries may seriously pollute the environment. Please do not discard this battery pack irresponsibly but help protect the natural environment. Please observe local laws and regulations when disposing of the battery pack.

22. Please avoid using any non-original accessory. In the event of any unauthorized disassembly, cracking and modification of the product and components, the resulting damage and loss will be borne by you only.

23. For any item or issue not covered by the warranty, you will need to bear the cost and purchase corresponding services.

24. When the product or any part needs repair or replacement, please contact after-sales customer service.

25. Due to the differences in the laws, regulations and policies of each country or region on the licensing management and government control of electric bicycles, please learn about your local rules, and consult competent agencies when necessary, before purchasing and using this product. In the event of prohibited use of this product on the road normally or any other loss due to legal reasons on registration and licensing, the Company shall not take any responsibility. The company will not be responsible for any loss or damage caused by the inability to license the product.

26. Product data and parameters vary by model and are subject to change without notice.

27. Within the scope permitted by law, the Company reserves the right to interpret and explain this statement.

28. This statement applies to the laws of the People's Republic of China (excluding the laws of Hong Kong Special Administrative Region, Macao Special Administrative Region and Taiwan region). The Company shall not be liable for any claims, liabilities or damages arising from or in connection with any breach by the consumer of the terms of the above statement. Any unforeseen or unavoidable risks encountered while riding the eBike shall be the sole responsibility of the rider.

Thank you again for choosing and trusting this product.



WeChat Official Account

Manufacturer: Shenzhen DYU Intelligent Mobility Technology Co., Ltd

Factory: Huizhou F-Wheel E-Mobility Technology Co., Ltd.

Factory Address: Block 1, Factory 4, Sanxu Village Committee and Meihua Village Committee,
Luoyang Neighborhood, Boluo County, Huizhou City, Guangdong Province

Telephone: 400-080-7170