

**KUKItin G3**

**USER MANUAL**

**EN**



**[www.kukitin.net](http://www.kukitin.net)**

Thank you for purchasing Kukirin G3 Electric scooter

In order to ensure safety of you and others, please read the instruction before you use it.

There might be slightly different between the product and the picture

## Catalogue

### 1.Basic information

- 1.1 Important information
- 1.2 Safety warning
- 1.3 Scrap disposition
- 1.4 Product standard

### 2.Product introduction

- 2.1 Packing List
- 2.2 Diagram of KUKIRIN G3
- 2.3 Button information
- 2.4 Display information

### 3.Fold and assemble the E-scooter

- 3.1 Assembly of handlebar
- 3.2 Assembly of rear fender
- 3.3 Kickstand of E-scooter
- 3.4 Fold and unfold the E-scooter

### 4.Battery charge

- 4.1 How to charge
- 4.2 Battery standard

### 5.Usage

- 5.1 Riding teaching
- 5.2 Practice guidelines

### 6.Cleaning and maintenance

- 6.1 Cleaning
- 6.2 Storing
- 6.3 Transport

### 7.Maintaining

## Basic information

This instruction is including the function, usage and maintaining of the G3. Please prepare your purchase information before contacting the customer service, because it is needed during the process.

**Purchase Data:** \_\_\_\_\_

**Scooter Code:** \_\_\_\_\_ (on the bottom of the scooter)

 please obey the rules in this instruction

### 1.1 Important information

You must obey the law when riding the e-scooter. Users have to take risks and responsibilities. It includes, but are not limited to muscle injuries, fractures, lacerations, serious injuries and death, and other risks that may be associated with the riding of the e-scooter.

 Make sure to wear the protective sets(helmet, elbow pads, knee pads, ect.)

## 1.2 Safety warning

- ⚠ Safely dispose the package. It is dangerous for kids and pets.
- ⚠ Checking the wholeness of the product, If any parts are missing, please contact the seller.
- ⚠ If there is any damaged, please don't use it.
- ⚠ Please use the standard charger.
- ⚠ Look after your kid if he or she rides the e-scooter.
- ⚠ Only use the components from our company.
- ⚠ Be careful with the electricity. No water or liquid contacted.
- ⚠ Use a dry cloth to remove dust. Do not spray liquid onto product.
- ⚠ Do not immerse the product, any of its components or accessories in water.
- ⚠ Do not use on the stairs.
- ⚠ The e-scooter could only take one person.
- ⚠ Cover the product to prevent dust. Do not store it in a dusty environment, which may cause damage.
- ⚠ Do not ride in areas with fire hazards.

## 1.3 Scrap disposition

Do not burn, bury or drop the e-scooter with the household garbage. If the battery is broken or got fire, It will cause danger and environment pollution. Please obey the rules and dispose it carefully.



## 1.4 Product standard

Items	Details	Parameters
Specification	Folded Size	1200 x 660 x 550mm
	Unfold Size	1200x 660x 1290mm
	Net Weight	25±1kgs
Product performance	Maximum load	100kgs
	Grade ability	≤20%
	Suitable terrain	Smooth road, slope less than 20%
	Operating temperature	25°C
	Storage temperature	-10°C to 50°C
Speed and mileage	Maximum speed	50 km / h
	Cruising distance	60km (load: 65kg Battery 18Ah)
Tyre	Front tyre	10.5-inch
	Rear tyre	10.5-inch
Battery Parameter	Type	18650 Rechargeable lithium ions/18650
	Battery protection type	Overcharge, over discharge, overheat automatically shut down
	Voltage and current	52V 18Ah
	Total Power	936Wh
Charger parameters	Input voltage	AC100-240V 50/60Hz
	Output voltage	DC 58.8v 2a
	Charging Time	10~12Hours

The actual parameters shall be subject to the physical objects received

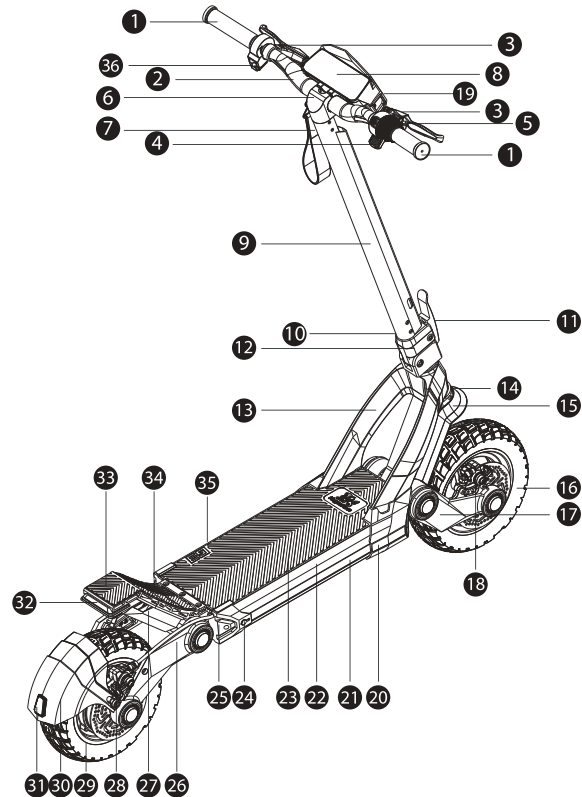
## Product introduction

### 2.1 Packing List

- G3 e-scooter x1
- Charger x1
- Instruction x1
- Setting Tool x1

### 2.2 Diagram of Kukirin G3

- |                         |                                   |
|-------------------------|-----------------------------------|
| ① handle bar            | ①9 front light                    |
| ② steering bar          | ②0 Front deck cover               |
| ③ braking               | ②1 Decorative strip               |
| ④ accelerator           | ②2 deck                           |
| ⑤ power Button          | ②3 foot pedal                     |
| ⑥ handlebar base        | ②4 DC IN                          |
| ⑦ locking ribbon        | ②5 rear deck cover                |
| ⑧ display               | ②6 rear suspension                |
| ⑨ steering pole         | ②7 rear deck bottom cover         |
| ⑩ folding insurance     | ②8 rear disc brake                |
| ⑪ folding latch         | ②9 rear wheel                     |
| ⑫ folding bar           | ③0 rear fender                    |
| ⑬ front axel            | ③1 rear reflector                 |
| ⑭ front suspension base | ③2 tail light                     |
| ⑮ front fender          | ③3 rear deck                      |
| ⑯ front wheel           | ③4 rear foot pedal                |
| ⑰ front suspension      | ③5 kickstand                      |
| ⑱ front disc brake      | ③6 Turn signal switch/horn button |

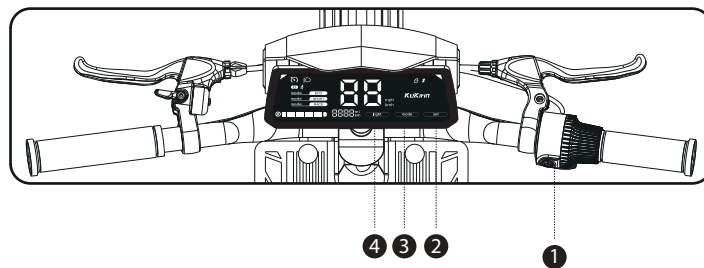


The actual product details and specifications due to product upgrading and optimization shall be subject to change without notice

## 2.3 Button information

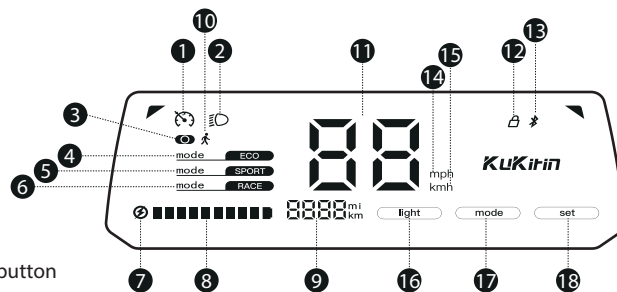
Before riding, you must understand the different function keys and display meanings of Kukirin G3

- ① On/off button: power-on key/function combination key  
Click to open the electric scooter in the shutdown state  
In the power-on state, double-click to switch the gear mode, click to briefly press the headlamp switch, and click to turn off the electric scooter  
Turn on/off the headlights when the scooter is powered on
- ② Settings: click to switch units (miles and kilometers)  
Press and hold to turn cruise control on/off
- ③ Mode: click to change the speed mode (1-2-3-1)
- ④ Lights: Click to turn on/off the headlights



## 2.4 Display information

- |                           |                               |
|---------------------------|-------------------------------|
| ① Constant speed cruise   | ⑩ Pedestrian mode             |
| ② Headlight status        | ⑪ Real-time speed             |
| ③ Zero and non-zero modes | ⑫ Bluetooth lock              |
| ④ Gear mode - economy     | ⑬ Bluetooth link              |
| ⑤ Gear mode - sport       | ⑭ mile                        |
| ⑥ Gear mode - race        | ⑮ kilometre                   |
| ⑦ Low battery warning     | ⑯ Light switch                |
| ⑧ Power                   | ⑰ Gear mode adjustment button |
| ⑨ Total mileage           | ⑱ Set button                  |

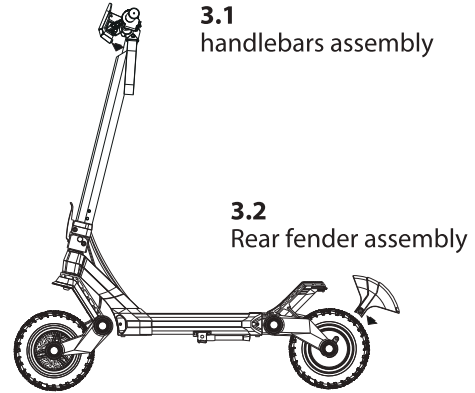


Please charge the electric scooter regularly. If it is not used for a long time, please keep the electric scooter with more than 60% power. If there is no power, please charge it in time. Battery protection problems caused by long-term power loss and over-discharge shall be borne by the user.

## Fold and assemble the scooter

Please ensure that the power of G3 has been turned off before assembling the scooter.

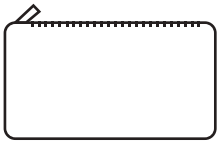
Most of the parts have been assembled before leaving the factory. A few parts are required to be assembled before



**3.1**  
handlebars assembly

**3.2**  
Rear fender assembly

## Electric scooter installation kit and tools



Tool bag



M5  
Allen  
wrench



M4  
Allen  
wrench



M3  
Allen  
wrench



Silicone  
rolled  
strip

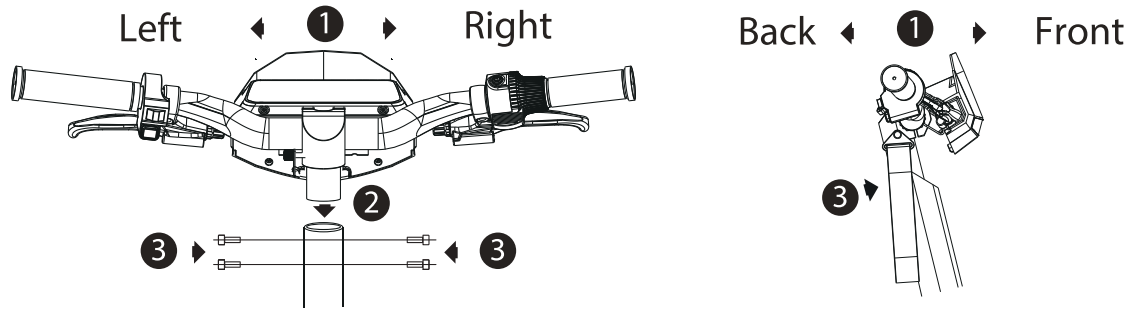


M6 pan  
head screw



M6 stud screw

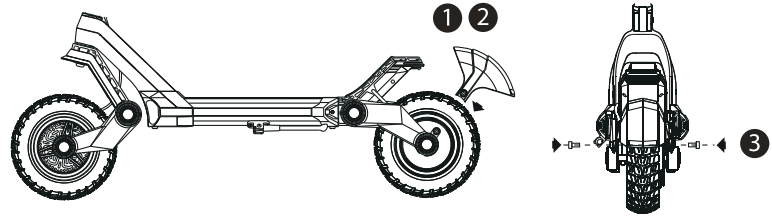
### 3.1 Handlebars assembly



- 1 Following the shown image, to adjust direction of the handlebar faucet.  
Make sure the brake in left side facing frontward, thumb accelerator in right side facing backward.
- 2 Align & insert the mounting base in the faucet fixing seat.
- 3 Adjust the direction and fix it with four screws.

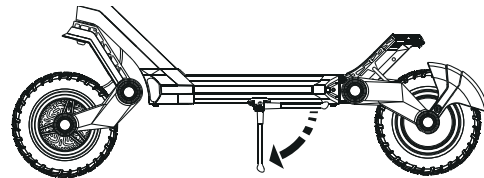
### 3.2 Kickstand of E-scooter

- 1 Insert rear fender into the installation position where has the left and right suspension arms.
- 2 Pay attention to the left and right direction, Only with correct direction the rear fender can be inserted normally.
- 3 Just screw it tightly.



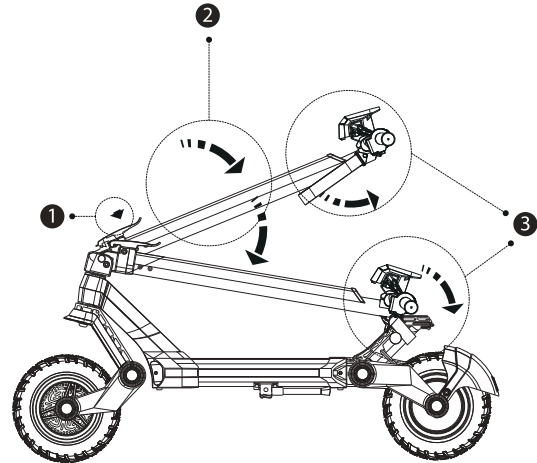
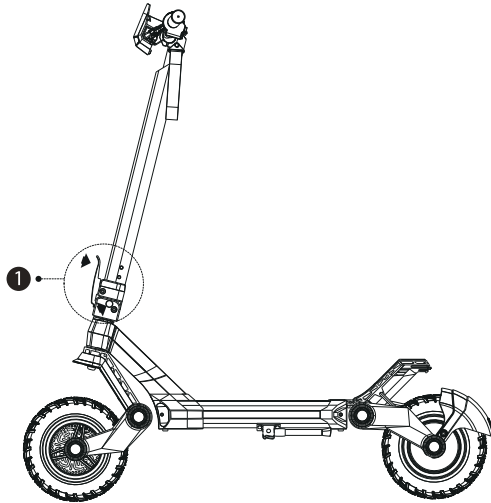
### 3.3 Kickstand of E-scooter

- 1 Find the kickstand beside the pedal
- 2 Push the kickstand down



### 3.4 Fold the scooter

- 1 Release the folding safety device and press the folding latch
- 2 Put down the steering pole.
- 3 Hang the locking ribbon to the bottom of the rear pedal



To unfold the scooter, please follow the above steps vice versa

## Battery charge

⚠ Please charge the scooter before use.

### 4.1 How to charge

- 1 Turn off the scooter before you start to charge.
- 2 Find the charging pot and insert charger into the socket.
- 3 Use the right charger.
- 4 The light will be red while charging.
- 5 The light will be green when charging completed.

⚠ If it is the first charge, please charge the E-scooter at least 12 hours before using.

⚠ Under no circumstances should you use a scooter while charging.

⚠ Do not charge for longer than necessary. The standard charging time is about 12 hours (18ah battery).

⚠ Charging too long can affect battery life and performance.

⚠ To extend battery life, charge it at least every two months.



## CHARGING

Precautions: Do not charge indoors. Lithium battery products are risky, so please be careful.



## 4.2 Battery standard

Components	Parameter
Type of the battery	Rechargeable lithium ions
Charging time	10~12hours
Voltage	52V
Battery capacity	18Ah
Operating temperature	-10°C to 40°C
Charging temperature	5°C to 45°C
Storage temperature	-20°C to 50°C
KWh	936Wh
Protection	Overcharge, overdischarge, overheat automatically shut down

Chapter 5

## Usage

Before riding the G3, please read the following information.

- ⚠ You have to wear the helmet and other protective clothing.
- ⚠ Only under 100Kg are allowed.
- ⚠ Obey the local law.
- ⚠ The G3 contains the motor, which may be classified as a motor vehicle according to your local regulations. It is your responsibility to comply with local regulations.

## 5.1 Riding teaching

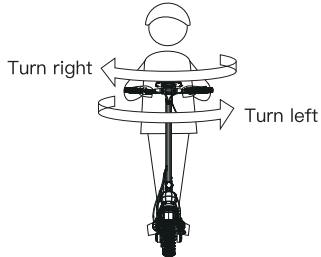
Suppose you are wearing appropriate protective gear and have placed your scooter on a level road with sufficient power, follow these steps.



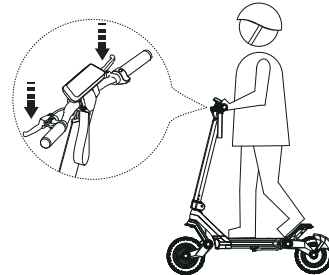
Hold the handlebars with your hands and put your right foot on the deck. With little left foot push(5km/h) to engine scooter and Right hand triggers the accelerator for riding.



Keep your body and scooter balanced by looking straight ahead



Turn the handle with both hands.



To slow or stop the scooter, release trigger and hold the handbrake.

Leave one foot on ground to keep the balance after scooter stopped.

⚠ To turn off the scooter, please press the turn off button for 3 seconds after scooter stopped.

## 5.2 Practice guidelines

Please practice riding until you can easily use all scooter functions. See the tips below.

- Avoid passing through anything that may stick on or stuck in the wheels.
- Wear fat shoes for flexibility and stability.
- Keep practising until you can easily get on, forward, turn, stop and get off.
- Riding on the road with a 20 degree slope is OK for G3, but not recommended.
- G3 is preferred to relatively fat road conditions.
- Do not ride on slopes, pedestrians or obstacles until you are proficient with the scooter.

 The G3's weight is about 25 KGs. Remember to fold the scooter before you pick it up.

## Cleaning and maintenance

### 6.1 Cleaning

After long time riding, you need to clean it to ensure the G3 works well.

- ⚠ Turn off the scooter before cleaning.
- ⚠ Use dry cloth to scrub it.
- ⚠ Avoid contacting from liquid.
- ⚠ Do not use alcohol and detergent.
- ⚠ Do not spray the liquid directly on any part of the scooter.

### 6.2 Storing

To store G3, please follow the below instructions:

- ⚠ Please charge it before you store it.
- ⚠ Charge it every 2 month.
- ⚠ Cover G3 to prevent dust.
- ⚠ Do not store it in a dusty or moisture environment, which may cause damage.

### 6.3 Transport

Close and fold the scooter before moving, lifting, or transporting it (see section 3.4 for instructions).

- ⚠ When lifting the whole scooter, please note the weight of G3 is about 25KGs.

## **Maintaining**

Your G3 electric scooter is warranted to the original owner for one year from the date of purchased against defects in material and workmanship under normal use and service.

This warranty gives you specific legal rights and you may have other rights depending on local laws. This warranty lasts for one year from the date of purchase. If the product is repaired or replaced, the warranty period will not be extended. This warranty only covers technical hardware defects under normal use conditions during the warranty period.

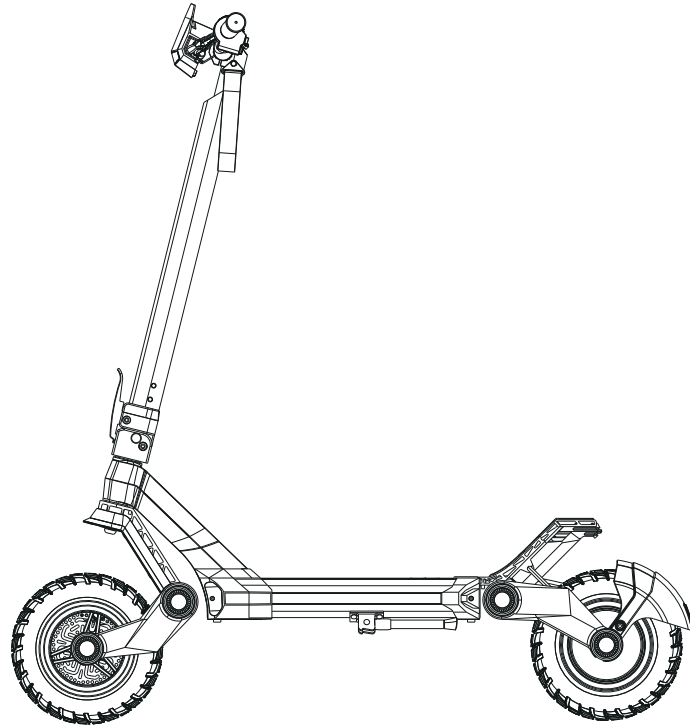
### **Guarantee does not include**

**(a)transport (b) store (c)usage (d)don t obey the instruction (e)change (f)repair without authorization (g) abrasion (h)accident**

**Users should strictly ride in accordance with traffic regulations. If there are special local laws and regulations, they should ride legally in accordance with local laws and regulations.**

**The equipped lithium battery can be recharged at least 500 times, and can generally reach over 500 times during normal use. There may be hazards when charging lithium batteries. Please charge them outdoors.**

Statement: we are not responsible for the accidental use of this product and its liability will not exceed the purchase price of the product in any condition.



**KUKirin G3**  
VERWENDER MANUAL

DE



Vielen Dank, dass Sie sich für ein Kukirin G3 ElektroScooter (E-Roller) entschieden haben

Lesen Sie die Anweisungen, bevor Sie sie verwenden, um die Sicherheit von Ihnen und anderen Personen zu gewährleisten.

Möglicherweise unterscheiden sich das Produkt und das Bild geringfügig voneinander

## Katalog

### 1. Grundlegende Informationen

- 1.1 Wichtige Informationen
- 1.2 Sicherheitshinweis
- 1.3 Entsorgung von Schrott
- 1.4 Produktstandard

### 2. Product introduction

- 2.1 Containerladefliste
- 2.2 Diagramm von KUKIRIN G3
- 2.3 Tasteninformationen
- 2.4 Informationen anzeigen

### 3. Falten und montieren Sie das Scooter

- 3.1 Montage des Lenkers
- 3.2 Montage des hinteren Kotflügels
- 3.3 Ständer des Elektrorollers
- 3.4 Falten und entfalten Sie den Elektroroller

### 4. Batterieladung

- 4.1 Wie wird aufgeladen?
- 4.2 Batteriestandard

### 5. Verwendung

- 5.1 Fahrtunterricht
- 5.2 Übungsrichtlinien

### 6. Reinigung und Wartung

- 6.1 Reinigung
- 6.2 Aufbewahrung
- 6.3 Transport

### 7. Pflegen



## Grundlegende Informationen

Diese Anleitung erklärt Ihnen die Funktion function Nutzung und Wartung des G3. Bitte bereiten Sie Ihre Kaufinformationen vor, bevor Sie sich an den Kundendienst wenden, da die Informationen für diesen Vorgang benötigt werden.



**Kaufdaten:** \_\_\_\_\_

**Scootercode code:** \_\_\_\_\_ (auf der Unterseite des Scooters)

 Bitte beachten Sie die Regeln in dieser Anleitung

### 1.1 Wichtige Informationen

Beim Fahren mit dem E-Scooter müssen Sie die Gesetze beachten. Die Anwender müssen Risiken und Verantwortung übernehmen. Dazu gehören, sind jedoch nicht beschränkt auf, Muskelverletzungen, Knochenbrüche, Platzwunden, schwere Verletzungen und Tod, sowie andere Risiken, die mit dem Fahren des Elektrorollers verbunden sein können.

-  Um Ihre Sicherheit zu gewährleisten, lesen Sie bitte alle Warnhinweise in der Anleitung.
-  Stellen Sie sicher, dass Sie die Schutzkleidung tragen (Helm, Ellbogenschützer, Knieschützer usw.)

## 1.2 Sicherheitshinweis

- ⚠ Entsorgen Sie die Verpackung sicher. Es ist gefährlich für Kinder und Haustiere
- ⚠ Vollständige Überprüfung des Produkts. Wenn Teile fehlen, wenden Sie sich bitte an den Verkäufer
- ⚠ Wenn es irgendwelche Schäden gibt, benutzen Sie es bitte nicht
- ⚠ Verwenden Sie das richtige Ladegerät
- ⚠ Kümmere dich um dein Kind, wenn es das Produkt benutzt
- ⚠ Verwenden Sie nur die Komponenten aus unserem Hause
- ⚠ Sei vorsichtig mit der Elektrizität. Kein Wasser oder Flüssigkeit angeschlossen
- ⚠ Staub mit einem trockenen Tuch entfernen. Sprühen Sie keine Flüssigkeit auf das Produkt.
- ⚠ Tauchen Sie das Produkt, seine Komponenten oder Zubehörteile nicht in Wasser
- ⚠ Nicht auf der Treppe benutzen
- ⚠ Das Scooter konnte nur eine Person aufnehmen
- ⚠ Decken Sie das Produkt ab, um Staub zu vermeiden. Bewahren Sie es nicht in einer staubigen Umgebung auf, da dies zu Schäden führen kann.
- ⚠ Warnung - Brandgefahr - Benutzer nicht wartbar damage.

## 1.3 Entsorgung von Schrott

Sie konnten es nicht verbrennen oder mit dem Hausmüll entsorgen. Wenn die Batterie defekt ist oder ein Feuer ausbricht, kann dies zu Gefahren und Umweltverschmutzung führen. Sie müssen die Gesetze befolgen und diese sorgfältig verwahren.

## 1.4 Product standard

Standard	Komponenten	Parameter
Spezifikation	Größe (Zusammengeklappt)	1200 x 660 x 550mm
	Größe (Auseinandergeklappt)	1200x 660x 1290mm
Produktsbeschreibung	Gewicht	25±1kgs
	Belastbarkeit	100kgs
	Steigfähigkeit	≤20%
	Geeignetes Gelände	Glatte Straße, Gefälle unter 20 %
	Betriebstemperatur	25°C
Geschwindigkeit und Reichweite	Lagertemperatur	-10°C to 50°C
	Höchstgeschwindigkeit	50 km / h
Tyre	Reichweite	60km (load: 65kg Batterie:18Ah)
	Vorderrad	10.5-Zoll
Batterie Eigenschaften	Hinterrad	10.5-Zoll
	Typ	18650 Wiederaufladbare Lithiumionen
	Batterieschutz	Bei Überladung, Überentladung, Überhitzung schaltet sich automatisch ab
	Spannung und Kapazität	52V 18Ah
Ladeeigenschaften	Leistung	936Wh
	Eingangsspannung	AC100-240V 50/60Hz
	Ausgangsspannung	DC 58.8v 2a
	Ladezeit	10-12Stunden

Die tatsächlichen Parameter unterliegen den empfangenen physikalischen Objekten.

## Kapitel 2

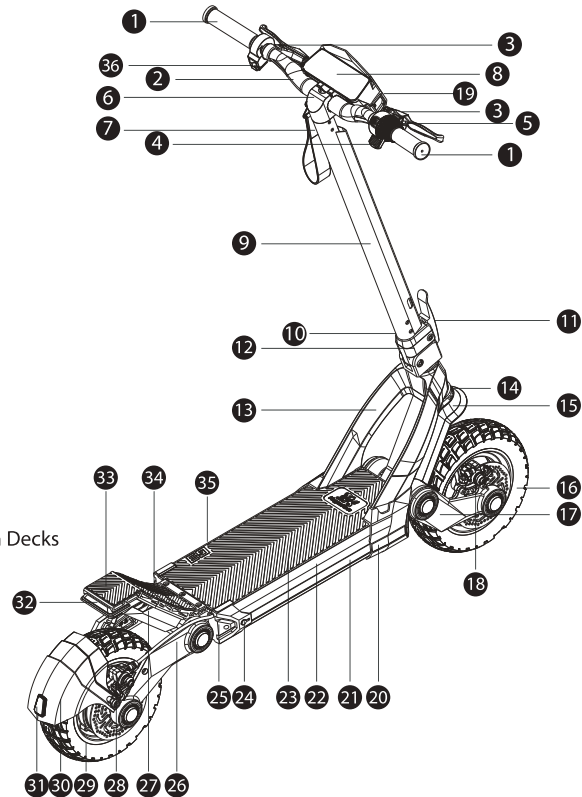
# Produkteinführung

## 2.1 Packliste

- G3 e-scooter x1
- Kit für Werkzeug x1
- Ladegerät x1
- Anweisung x1

## 2.2 Diagramm von Kukirin G3

- |                           |  |
|---------------------------|--|
| 1 Lenker                  | 19 Vorderlicht                         |
| 2 Lenkstange              | 20 Deckabdeckung vorne                 |
| 3 Bremse                  | 21 Zierstreifen                        |
| 4 Beschleuniger           | 22 Deck                                |
| 5 Schalter                | 23 Fußpedal                            |
| 6 Lenkerfuß               | 24 DC IN                               |
| 7 Verriegelungsband       | 25 Hintere Abdeckung des Decks         |
| 8 Anzeige                 | 26 Hinterradaufhängung                 |
| 9 Lenkstange              | 27 untere Abdeckung des hinteren Decks |
| 10 faltversicherung       | 28 Hintere Scheibenbremse              |
| 11 Klappverschluss        | 29 Hinterrad                           |
| 12 Klappstange            | 30 Hintere Kotflügel                   |
| 13 Vorderachse            | 31 Rückstrahler                        |
| 14 vordere                | 32 Rücklicht                           |
| 15 Vordere Kotflügel      | 33 Hinteres Deck                       |
| 16 Vorderrad              | 34 Pédale arrière                      |
| 17 Vorderradaufhängung    | 35 Kikstand                            |
| 18 vordere Scheibenbremse | 36 Blinker-/Hupenschalter              |

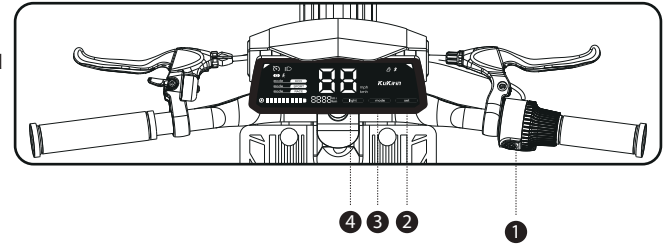


Die tatsächlichen Produktdetails und Spezifikationen aufgrund von Produktaufrüstung und -Optimierung können ohne vorherige Ankündigung geändert werden.

## 2.3 Schaltflächeninformationen

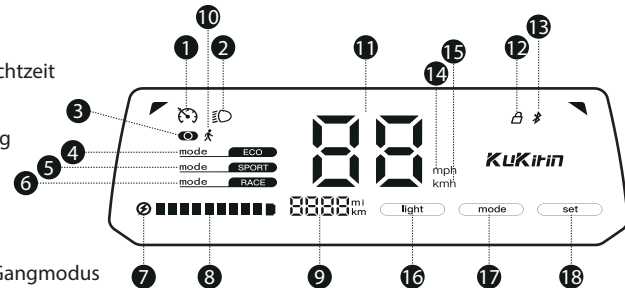
Vor der Fahrt müssen Sie die verschiedenen Funktionstasten und Anzeigebedeutungen von Kukirin G3 verstehen.

- ❶ Ein/Aus-Taste: Einschalttaste/Funktionskombinationstaste  
Klicken Sie, um den Elektroroller im Abschaltzustand zu öffnen  
Doppelklicken Sie im eingeschalteten Zustand, um den Gangmodus zu wechseln, klicken Sie, um den Scheinwerferschalter kurz zu drücken, und klicken Sie, um den Elektroroller auszuschalten  
Schalten Sie die Scheinwerfer ein/aus, wenn der Roller eingeschaltet ist
- ❷ Einstellungen: Klicken Sie, um Einheiten (Meilen und Kilometer) zu wechseln  
Halten Sie gedrückt, um den Tempomat ein- und auszuschalten
- ❸ Modus: Klicken Sie, um den Geschwindigkeitsmodus zu ändern (1-2-3-1)
- ❹ Lichter: Klicken Sie, um die Scheinwerfer ein- und auszuschalten



## 2.4 Informationen anzeigen

- |   |                            |                             |                           |                         |                        |                                       |            |                           |                  |                               |                    |                        |         |             |                 |                                   |                 |
|---|----------------------------|-----------------------------|---------------------------|-------------------------|------------------------|---------------------------------------|------------|---------------------------|------------------|-------------------------------|--------------------|------------------------|---------|-------------|-----------------|-----------------------------------|-----------------|
| ❶ Kreuzfahrt mit konstanter Geschwindigkeit | ❷ Status des Scheinwerfers | ❸ Modus Null und Nicht-Null | ❹ Getriebemodus - economy | ❺ Getriebemodus - sport | ❻ Getriebemodus - race | ❼ Warnung bei niedrigem Batteriestand | ❽ Leistung | ❾ Gesamtkilometerleistung | ❿ Fußgängermodus | ⓫ Geschwindigkeit in Echtzeit | ⓬ Bluetooth-Sperre | ⓭ Bluetooth-Verbindung | ⓮ Meile | ⓯ Kilometer | ⓰ Lichtschalter | ⓱ Einstelltaste für den Gangmodus | ⓲ Einstelltaste |
|---|----------------------------|-----------------------------|---------------------------|-------------------------|------------------------|---------------------------------------|------------|---------------------------|------------------|-------------------------------|--------------------|------------------------|---------|-------------|-----------------|-----------------------------------|-----------------|

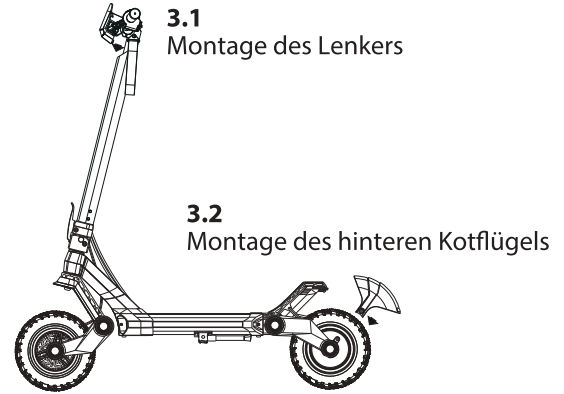


Bitte laden Sie den Elektroroller regelmäßig auf. Wenn es für eine lange Zeit nicht verwendet wird, halten Sie bitte den Elektroroller mit mehr als 60% Leistung. Wenn es keinen Strom gibt, laden Sie ihn bitte rechtzeitig auf. Batterieschutzprobleme, die durch langfristigen Energieverlust und Überentladung verursacht werden, gehen zu Lasten des Benutzers.

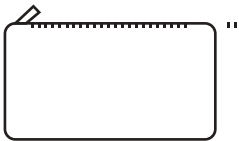
### Kapitel 3

## Falten und montieren Sie das Scooter

Bitte stellen Sie sicher, dass der G3 ausgeschaltet ist, bevor Sie den G3 zusammenbauen. Die meisten Teile wurden vor dem Verlassen des Werks zusammengebaut. Vor der Fahrt ist eine kleine Montage von Ihnen erforderlich.



## Elektrischer Scooter-Installationssatz und -geräte



Kit für  
Werkzeug



M5  
Hexagon  
Steckschlüssel



M4  
Hexagon  
Steckschlüssel



M3  
Hexagon  
Steckschlüssel



Bandstahl  
aus  
Silicon

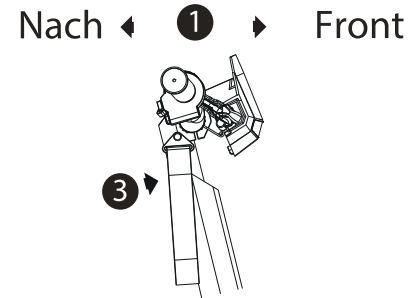
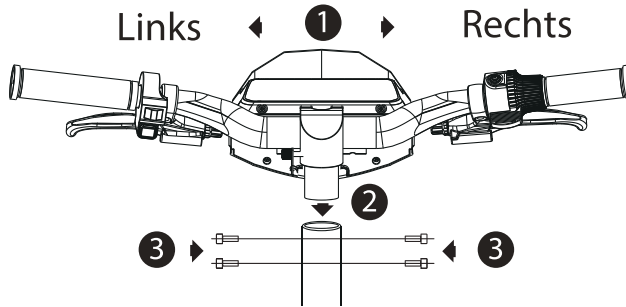


M6  
Pannenkopf  
schraube



Schraube M6

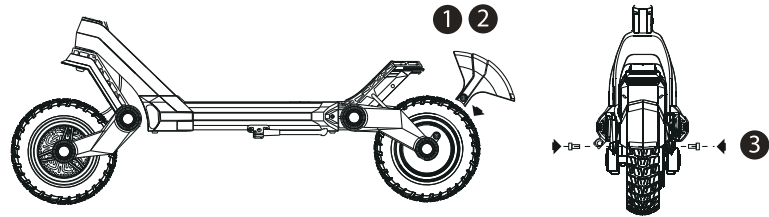
### 3.1 Montage des Lenkers



- 1 Folgen Sie dem gezeigten Bild, um die Richtung der Lenkerarmatur einzustellen. Stellen Sie sicher, dass die Bremse auf der linken Seite nach vorne zeigt, das Daumengas auf der rechten Seite nach hinten zeigt.
- 2 Richten Sie die Montagebasis aus und setzen Sie sie in den Befestigungssitz des Wasserhahns ein.
- 3 Passen Sie die Richtung an und befestigen Sie sie mit vier Schrauben.

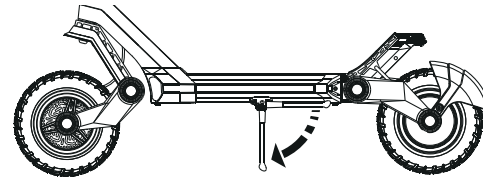
### 3.2 Montage des hinteren Kotflügels

- 1 Setzen Sie den hinteren Kotflügel in die Einbauposition ein, in der sich die linken und rechten Querlenker befinden.
- 2 Achten Sie auf die linke und rechte Richtung, nur mit der richtigen Richtung kann der Heckfender normal eingesetzt werden.
- 3 Einfach festschrauben.



### 3.3 Ständer des Elektrorollers

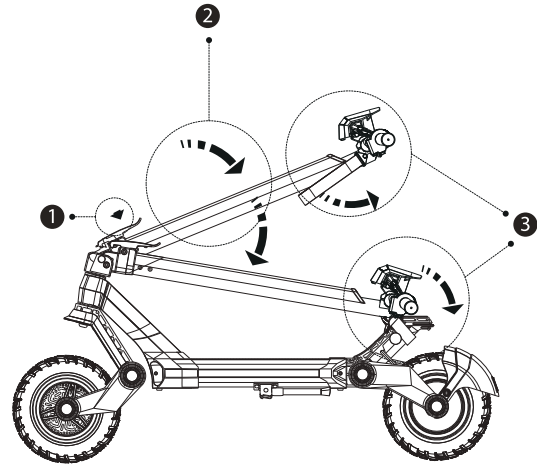
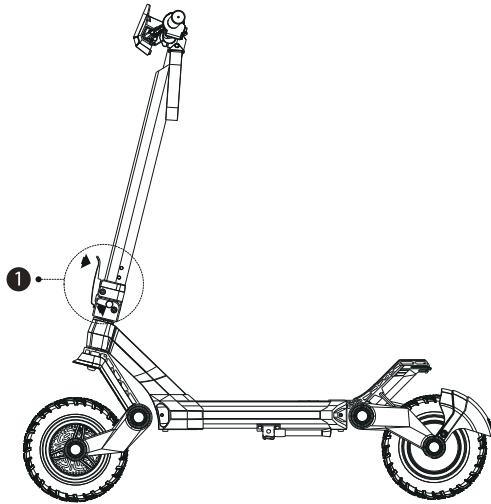
- 1 Der Ständer benndet sich neben dem Pedal
- 2 Drücken Sie den Ständer nach unten





### 3.4 Falten Sie den Elektroroller

- 1 Lösen Sie die Klappsicherung und drücken Sie die Klappverriegelung
- 2 Heben Sie die Lenksäule in die zweite Position an
- 3 Drehen Sie die Klappschutzsperre gegen den Uhrzeigersinn in die offene Position




Das Obige ist der Aufklappvorgang des Rollers. Wenn Sie den Roller falten müssen, drehen Sie den Vorgang einfach um.

## Batterieladun


 Bitte laden Sie den Roller vor dem Gebrauch auf.

### 4.1 Wie wird aufgeladen?

- ① Schalten Sie das Gerät aus, wenn Sie mit dem Aufladen beginnen.
- ② Suchen Sie die Steckdose an der Rollerkarosserie und stecken Sie den Ladestecker des Rollers in die Steckdose
- ③ Verwenden Sie das richtige Ladegerät.
- ④ Während des Aufladens leuchtet das Licht rot.
- ⑤ Lampe leuchtet grün, wenn der Ladevorgang abgeschlossen ist.

 Wenn es sich um die erste Aufladung handelt, laden Sie den Roller vor dem Gebrauch mindestens 12 Stunden lang auf.

 Verwenden Sie während des Ladevorgangs unter keinen Umständen einen Roller.

 Laden Sie den Akku nicht länger als nötig auf. Die Standard-Ladezeit beträgt ca. 12 Stunden (18Ah-Akku). Ein zu langer Ladevorgang kann die Lebensdauer und Leistung des Akkus beeinträchtigen.

 Laden Sie den Akku mindestens alle drei Monate auf, um die Lebensdauer zu verlängern.



**LADEN**

Vorsichtsmaßnahmen: Nicht in Innenräumen aufladen. Lithium-Batterieprodukte sind riskant, also seien Sie bitte vorsichtig.

## 4.2 Batterieeigenschaften

Komponente	Parameter
Art der Batterie	Wiederaufladbare Lithiumionen
Ladezeit	10-12 Stunden
Spannung	52V
Kapazität	18Ah
Betriebstemperatur	-10°C to 40°C
Ladetemperatur	5°C to 45°C
Lagertemperatur	-20°C to 50°C
KWh	936Wh
Schutz	Überladung, Überentladung, Überhitzung schaltet sich automatisch ab

Kapitel 5

## Verwendung

Lesen Sie bitte die folgenden Informationen, bevor Sie mit dem G3 fahren.

- ⚠ Sie müssen den Helm oder andere Schutzkleidung tragen
- ⚠ Körpergewicht weniger als 100kg
- ⚠ Befolgen Sie die örtlichen Gesetze
- ⚠ Der G3 enthält den Motor, der gemäß Ihren örtlichen Vorschriften als Kraftfahrzeug eingestuft werden kann. Es liegt in Ihrer Verantwortung, die örtlichen Vorschriften einzuhalten.

## 5.1 Fahrtunterricht

En supposant que vous portez un équipement de protection approprié et que vous placez le scooter sur une route plane avec une puissance suffisante et sans problème, suivez ces étapes.

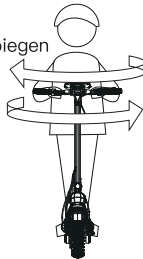


Halten Sie den Griff mit den Händen, treten Sie mit einem Fuß auf das Pedal und mit dem anderen Fuß auf den Boden. Geben Sie dem Roller eine anfängliche Startgeschwindigkeit (die Anfangsgeschwindigkeit beträgt 5km/h), und drücken Sie die Beschleunigungstaste des Daumenschalters auf der rechten Seite.



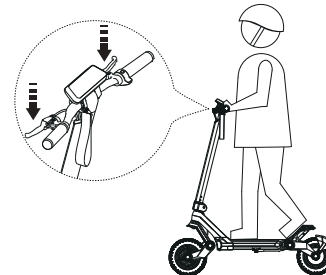
Halten Sie Ihren Körper und das Fahrzeug im Gleichgewicht, indem Sie geradeaus schauen

Nach rechts abbiegen



Nach links abbiegen

Drehen Sie den Lenker mit beiden Händen



Wenn Sie bremsen müssen, halten Sie bitte die mechanischen Hebel mit der linken Hand. Wenn die Geschwindigkeit sinkt und stoppt, muss ein Fuß auf dem Boden gestellt sein, um das Gleichgewicht zu halten

⚠ Um den Roller auszuschalten, halten Sie den Ein- / Ausschalter nach dem vollständigen Anhalten einige Sekunden lang 3 bis 5 Sekunden lang gedrückt.

## 5.2 Praktische Richtlinien

Bitte üben Sie das Fahren, bis Sie alle Rollerfunktionen problemlos nutzen können. Beachten Sie die folgenden Tipps.

- Vermeiden Sie es, durch Gegenstände zu gelangen, die am Rad haften bleiben oder in / unter dem Rad stecken bleiben. Tragen Sie flache Schuhe für Flexibilität und Stabilität.
- Üben Sie so lange, bis Sie problemlos einsteigen, sich vorwärtsbewegen, umdrehen, anhalten und aussteigen können.
- G3 r kann mit einer Neigung von 20 Grad auf der Straße gefahren werden. Es ist jedoch nicht empfehlenswert, auf der Piste zu fahren.
- G3 gilt für relativ flaches Gelände.
- Fahren Sie nicht auf Hängen, Fußgängern oder Hindernissen, bis Sie mit dem Roller vertraut sind.

⚠ Der G3 wiegt ca. 25kg. Denken Sie daran, den Roller zu falten, bevor Sie ihn aufheben.

Kapitel 6

## Cleaning and maintenance

⚠ Führen Sie keine Wartung durch, wenn die Stromversorgung eingeschaltet ist oder die Batterie geladen wird.

Nach jeder Fahrt, besonders wenn Sie eine lange Strecke zurückgelegt haben, überprüfen Sie Ihren Roller.

- Überprüfen Sie die Bremsen, um sicherzustellen, dass sie richtig funktionieren..
- Stellen Sie sicher, dass alle Schrauben und Bolzen straff und richtig befestigt sind, um Verletzungen und unnötigen Verschleiß zu vermeiden.

⚠ Reifenverschleiß und -zerreißen ist normal. Die Geschwindigkeit, mit der sich die Reifen verschlechtern, hängt von der Fahrart ab, d.h. das Laufrad kann zu minimalem Verschleiß führen, während die Leistung und/oder das schwere Driften zu übermäßigem Verschleiß führen können. Für den Kauf von Reifenersatzteilen und/oder für Fragen zu Ihren Roller-Teilen, besuchen Sie bitte unsere Website.

## 6.1 Reinigung und Wartung

Nach langer Fahrt müssen Sie es reinigen, um sicherzustellen, dass das Produkt gut funktioniert

- ⚠ Stellen Sie vor dem Reinigen sicher, dass sich der Roller ausschaltet
- ⚠ Verwenden Sie zum Schrubben ein trockenes Tuch
- ⚠ Kontakt mit Flüssigkeiten vermeiden
- ⚠ Verwenden Sie keinen Alkohol und kein Reinigungsmittel
- ⚠ Sprühen Sie die Flüssigkeit nicht direkt auf einen Teil des Scooters.

## 6.2 Aufbewahrung

Befolgen Sie zum Speichern von G3 die folgenden Informationen.

- ⚠ Bitte laden Sie es auf, bevor Sie es für längere Zeit abstellen
- ⚠ Laden Sie es alle 3 Monate auf
- ⚠ Abdeckung G3, um das Eindringen von Staub zu verhindern. Bewahren Sie sie nicht in staubiger Umgebung auf, da dies zu Beschädigungen führen kann.
- ⚠ Setzen Sie es keinen instabilen Temperaturen aus. Wasser oder Feuchtigkeit können die Batterien und Stromkreise beschädigen.

## 6.3 Transport

Schließen und falten Sie den Roller, bevor Sie ihn bewegen, anheben oder transportieren (Anweisungen finden Sie in Abschnitt 3.4).

- ⚠ Beachten Sie beim Anheben des gesamten Scooters, dass der G3 ca. 25kg wiegt.

## **Pflegen**

Für Ihren G3 electric Scooter wird dem Erstbesitzer eine Garantie von einem Jahr ab Kaufdatum auf Material- und Verarbeitungsfehler bei normalem Gebrauch und normalem Service gewährt.

Diese Garantie gibt Ihnen bestimmte gesetzliche Rechte und Sie haben möglicherweise andere Rechte, abhängig von den örtlichen Gesetzen. Diese Garantie beträgt ein Jahr ab Kaufdatum. Wenn das Produkt repariert oder ersetzt wird, wird die Garantiezeit nicht verlängert. Diese Garantie wird nicht verlängert deckt nur technische Hardwaremängel unter normalen Nutzungsbedingungen während der Garantiezeit ab.

### **Die Garantie umfasst nicht**

**(a) Transport (b) Lagerung (c) Verwendung (d) Befolgen Sie nicht die Anweisung (e) Änderung (f) Reparatur ohne Genehmigung (g) Abrieb (h) Unfall**

**Benutzer sollten streng in Übereinstimmung mit den Verkehrsvorschriften fahren. Wenn es spezielle lokale Gesetze und Vorschriften gibt, sollten sie legal in Übereinstimmung mit lokalen Gesetzen und Vorschriften fahren.**

**Die ausgerüstete Lithiumbatterie kann mindestens 500-mal aufgeladen werden und kann im Allgemeinen über 500-mal während des normalen Gebrauchs erreichen. Beim Laden von Lithiumbatterien kann es zu Gefahren kommen.**

**Erklärung: Wir sind nicht verantwortlich für den versehentlichen Gebrauch dieses Produktes und seine Haftung wird den Kaufpreis des Produktes unter keinen Umständen übersteigen.**

