

**KUKItin G4**  
USER MANUAL

EN



[www.kukitin.net](http://www.kukitin.net)

Thank you for purchasing Kukirin G4 electric scooter to ensure your safety and that of others, please read the instructions carefully before using.

There may be minor differences between the product and the picture.

Please refer to the real thing. The final explanation right belongs to our company.

## Catalogue

### 1.Basic information

- 1.1 Important information
- 1.2 Security Alert
- 1.3 Waste disposal
- 1.4 Product standard

### 2.Product introduction

- 2.1 Packing list
- 2.2 Product schematic diagram
- 2.3 Button information
- 2.4 Display information

### 3.Assemble and fold electric scooters

- 3.1 Handlebar mounting
- 3.2 Rear fender assembly
- 3.3 How to use foot brace
- 3.4 Fold and unfold the electric scooter

### 4.Use of batteries

- 4.1 How to charge
- 4.2 Battery standard

### 5.Scooter used

- 5.1 Teaching cycling
- 5.2 Practical Guide

### 6.Clean and maintain

- 6.1 Cleaning
- 6.2 Storing
- 6.3 Transport

### 7.After sale

## Basic information

This manual includes the function, use and maintenance of Kukirin G4. Purchase information before contacting customer service, as this is required in the process.

**Purchase Data:** \_\_\_\_\_

**Scooter Code:** \_\_\_\_\_ (on the bottom of the scooter)



Please comply with the requirements of this guidance note

### 1.1 Important information

You must obey local laws and regulations when riding an electric scooter. Users must take their own risks and responsibilities, which include and are not limited to abrasions, muscle injuries, fractures, lacerations, serious injuries and deaths that may be associated with electric scooter riding



Be sure to wear protective gear (helmet, elbow pads, knee pads, gloves, etc.) when riding

## 1.2 Security Alert

- ⚠ Please handle the packaging safely as it is dangerous for children and pets.
- ⚠ Please check the integrity of the product, if any parts are missing, please contact the seller.
- ⚠ Do not use if damaged.
- ⚠ Please use the standard original charger.
- ⚠ If your child rides an electric scooter, someone needs to look after them.
- ⚠ Only the original parts of our company are used.
- ⚠ Be careful with electricity. Do not let water or liquid touch this product. There is a risk of electricity leakage.
- ⚠ When cleaning products, remove dust with dry cloth, please do not use water to wash directly.
- ⚠ Do not immerse the product or any of its parts or accessories in water.
- ⚠ Do not use on stairs.
- ⚠ Electric scooters can only be used by one person.
- ⚠ Please cover the product to prevent dust when not in use for a long time. Do not store it in a dusty environment as it may cause damage.
- ⚠ Do not drive in dangerous areas.

## 1.3 Waste disposal

Please do not burn, Bury or throw away the electric scooter together with the domestic garbage. If the battery is damaged or replaced, it will cause danger and environmental pollution. Please follow the relevant rules and handle it carefully.

## 1.4 Product standard

Items	Details	Parameters
Specification	Folded Size	1336*660*550mm
	Unfold Size	1336*660*1295mm
	Net Weight	37±1kg
Product performance	Maximum load	120kg
	Grade ability	≤20°
	Suitable terrain	The road is smooth and the slope is less than 20 °
	Operating temperature	25°C
	Storage temperature	-10°C - 50°C
Speed and mileage	Maximum speed	70km / h
	Cruising distance	75km (model:ECO load: 65kg)
Tyre	Front tyre	11-inch
	Rear tyre	11-inch
Battery Parameter	Type	lithium-ion battery
	Battery protection type	Overcharge, overdischarge, overheat automatic protection
	Voltage and current	60V 20Ah
	Total Power	1200Wh
Charger parameters	Input voltage	AC100-240V 50/60Hz
	Output voltage	DC 67.2v 2A
	Charging Time	10~12Hours

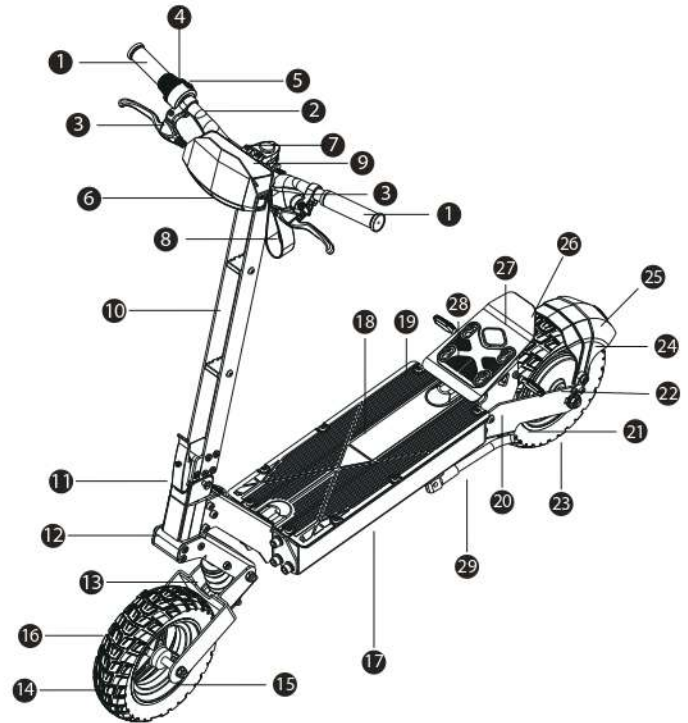
## Product introduction

### 2.1 Packing List

- Kukirin G4 e-scooter x1
- Charger x1
- Instruction x1
- Loading kit x1

### 2.2 Kukirin G4 schematic

- |                            |                           |
|----------------------------|---------------------------|
| ① Handlebar cover          | ⑲ DC IN                   |
| ② Steering crossbar        | ⑳ Rear rocker arm bracket |
| ③ Hand brake and bell      | ㉑ Rear rocker arm         |
| ④ accelerator              | ㉒ Rear disc brake         |
| ⑤ Power button             | ㉓ rear wheel              |
| ⑥ spotlight                | ㉔ Rear fender             |
| ⑦ Handlebar base           | ㉕ Rear reflector          |
| ⑧ Collect the streamer     | ㉖ Taillight               |
| ⑨ monitor                  | ㉗ Rear pedal              |
| ⑩ Upright pole             | ㉘ Rear foot pad           |
| ⑪ Fold components          | ㉙ kickstand               |
| ⑫ Front axle               |                           |
| ⑬ Front rocker arm bracket |                           |
| ⑭ front wheel              |                           |
| ⑮ front rocker arm         |                           |
| ⑯ front disc brake         |                           |
| ⑰ pedal                    |                           |
| ⑱ Pedal pad                |                           |

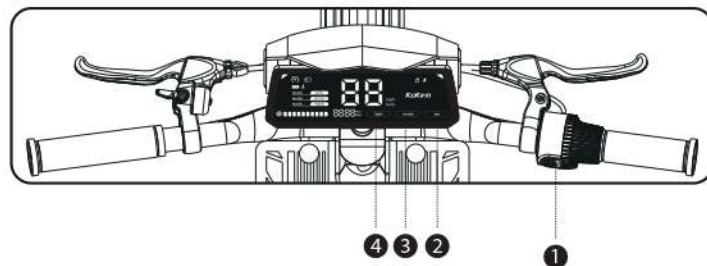


Actual product details and specifications due to product upgrading and optimization are subject to change without notice

## 2.3 Button information

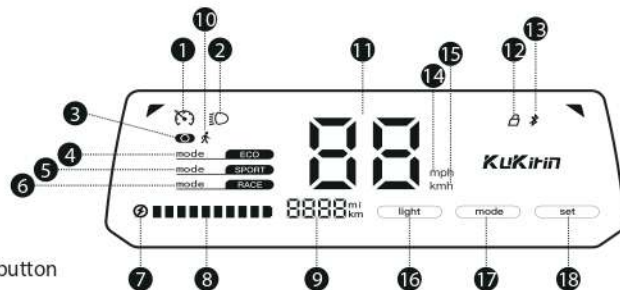
Before riding, you must understand the different function keys and display meanings of Kukirin G4

- 1** On/off button: power-on key/function combination key  
Click to open the electric scooter in the shutdown state  
In the power-on state, double-click to switch the gear mode, click to briefly press the headlamp switch, and click to turn off the electric scooter  
Turn on/off the headlights when the scooter is powered on
- 2** Settings: click to switch units (miles and kilometers)  
Press and hold to turn cruise control on/off
- 3** Mode: click to change the speed mode (1-2-3-1)
- 4** Lights: Click to turn on/off the headlights



## 2.4 Display information

- |                                  |                                       |
|----------------------------------|---------------------------------------|
| <b>1</b> Constant speed cruise   | <b>10</b> Pedestrian mode             |
| <b>2</b> Headlight status        | <b>11</b> Real-time speed             |
| <b>3</b> Zero and non-zero modes | <b>12</b> Bluetooth lock              |
| <b>4</b> Gear mode - economy     | <b>13</b> Bluetooth link              |
| <b>5</b> Gear mode - sport       | <b>14</b> mile                        |
| <b>6</b> Gear mode - race        | <b>15</b> kilometre                   |
| <b>7</b> Low battery warning     | <b>16</b> Light switch                |
| <b>8</b> Power                   | <b>17</b> Gear mode adjustment button |
| <b>9</b> Total mileage           | <b>18</b> Set button                  |



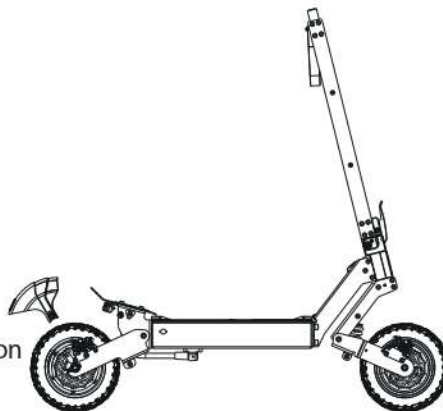
Please charge the electric scooter regularly. If it is not used for a long time, please keep the electric scooter with more than 60% power. If there is no power, please charge it in time. Battery protection problems caused by long-term power loss and over-discharge shall be borne by the user.

## Assemble and fold electric scooters

Before assembling the scooter, make sure that the power supply of the electric scooter is turned off.

Most parts have been assembled before leaving the factory. Some parts need to be assembled before riding.

### 3.1 Handlebar installation



### 3.2 Rear fender installation

## Loading kit



tool kit



M5  
Allen  
wrench  
x2



M4  
Allen  
wrench  
x1



M3  
Allen  
wrench  
x1



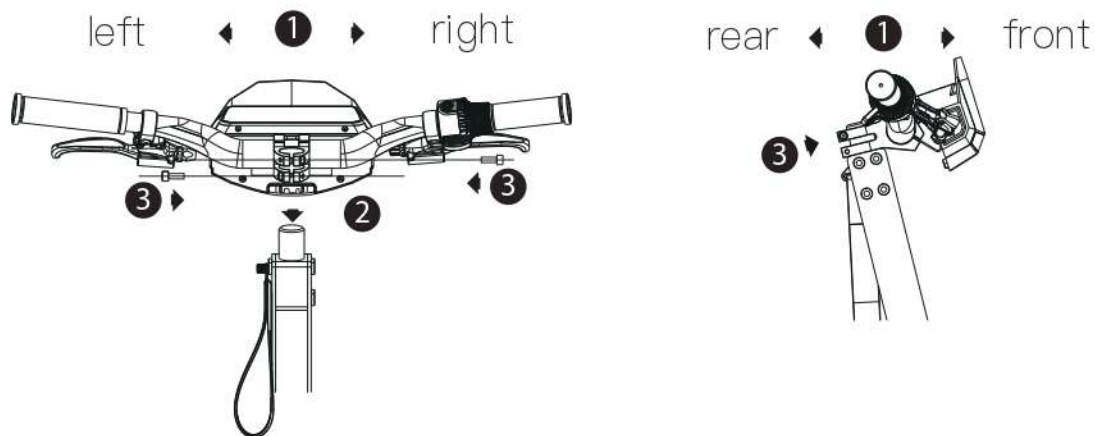
M6 stud  
screw  
x2



M6 stud  
screw  
x1



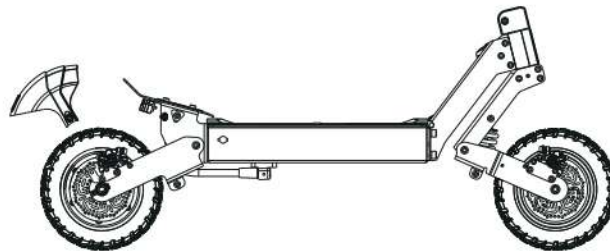
### 3.1 Handlebar assembly



- 1 Adjust the position of the handlebar faucet assembly according to the direction shown in the figure. When the brake handlebar is in advance, accelerate and dial in the right direction.
- 2 Align the mounting base of the faucet fixing seat with the riser and insert
- 3 Adjust the direction and tighten it with two screws on the left and right

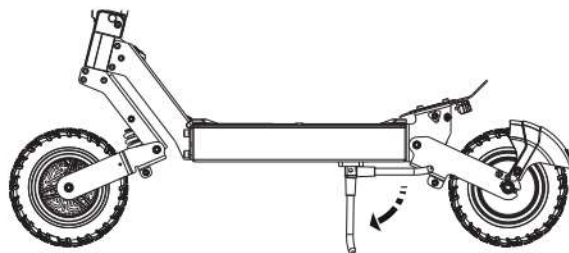
### 3.2 Rear fender assembly

- 1 Insert the rear fender mounting feet into the installation position of the left and right rear rocker arms
- 2 Pay attention to the left and right directions, as shown in the figure, the reflector is in the right direction below
- 3 Screw it down



### 3.3 Electric scooter bracket

Find the bracket beside the pedal  
Push the bracket down



### 3.4 Folding and unfolding electric scooter

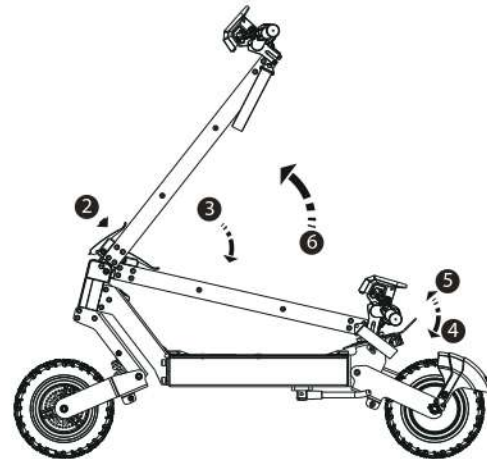
#### Folding scooter

- 1 Pull out the folding fuse first
- 2 Press the folding latch
- 3 Put down the upright pole
- 4 Hang the receiving streamer to the bottom of the rear pedal tail lamp



#### Expand the scooter

- 5 Take out the receiving streamer from the bottom of the tail pedal
- 6 Push the upright pole upwards
- 7 One click means the folding latch is in place
- 8 Just check again whether it is back to normal



## Battery charging

⚠ Please charge the scooter before use.

### 4.1 How to charge

- 1 Turn the scooter around before starting charging.
- 2 Find the charging socket on the skateboard body, insert the charger charging plug - skateboard end into the socket
- 3 Please use the special charger for scooter.
- 4 The charging indicator is red when charging.
- 5 The charging indicator is green after charging

⚠ If it is the first time to charge, please charge it for at least 12 hours before use.

⚠ Under any circumstances, it is forbidden to use electric scooters when charging.

⚠ Do not charge overtime. The standard charging time is about 12 hours (20ah battery).

⚠ The battery life and performance will decrease if the charging time is too long.

⚠ In order to prolong the battery life, charge it at least once every two months.

⚠ When not in use for a long time, please keep the battery of the electric scooter at least 60% of its power to prevent the battery from over-discharging.

## 4.2 Battery standard

Components	Parameter
Type of the battery	Rechargeable lithium ions
Charging time	10~12 hours
Voltage	60V
Battery capacity	20Ah
Operating temperature	-10°C to 40°C
Charging temperature	5°C to 45°C
Storage temperature	-20°C to 50°C
KWh	1200Wh
Protection	Overcharge, overdischarge, overheat automatically shut down

Chapter 5

## Usage

Please read the following information before using the G4 electric scooter.

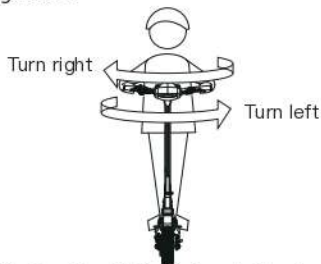
- ⚠ You must wear helmets and other protective equipment when using electric scooters.
- ⚠ The maximum load is less than 120 kg.
- ⚠ Comply with local laws.
- ⚠ G4 electric scooter contains motor. According to your local laws and regulations, it may be classified as a motor vehicle. Please refer to your local actual situation. It is your responsibility to comply with local regulations.

## 5.1 Cycling teaching

Before learning, please wear your riding protective gear and helmet, and find an open and flat closed road section to learn. Please follow the steps below.



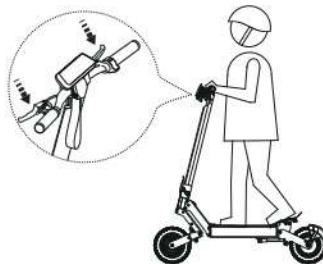
Hold the handle with both hands, keep your foot on the pedal, and the other foot on the ground, give the scooter an initial speed of starting (initial speed of 5km/h), and press the finger acceleration button on the right side.



Turn the handle with both hands. Turning to the right means turning right, and turning to the left means turning left



Look straight ahead and keep the balance of body and vehicle.



When you need to brake, you can brake by holding the mechanical hand brake on your left hand.

When the speed drops and stops, keep balance with one foot on the ground.


⚠ To turn off the power of the electric scooter, press and hold the power button for 3 to 5 seconds after a complete stop.


## 5.2 Practice Guide

Please practice riding until you can easily use all the scooter functions. See the following tips.

- Avoid passing any object that may stick or jam the wheel.
- Please wear sports shoes to maintain flexibility and stability.
- Keep practicing until you can easily get on, move forward, turn, stop and get off.
- Smooth road conditions are preferred when riding.
- Do not ride on slopes, pedestrians or obstacles until you are proficient in using the scooter.
- The weight is about 38 kg. Remember to fold the scooter before storing it.

 The weight is about 38 kg. Remember to fold the scooter before storing it.

 **Users should strictly ride in accordance with traffic regulations. If there are special local laws and regulations, they should ride legally in accordance with local laws and regulations.**

 **The equipped lithium battery can be recharged at least 500 times, and can generally reach over 500 times during normal use. There may be hazards when charging lithium batteries. Please charge them outdoors.**

## **Cleaning and maintenance**

### **6.1 Cleaning**

After a long ride, you need to clean it to ensure that the electric scooter works well.

- ⚠ Turn the scooter before cleaning.
- ⚠ Wipe with a dry cloth.
- ⚠ Avoid contact with liquids.
- ⚠ Do not use alcohol and detergent.
- ⚠ Do not spray liquid directly on any part of the scooter.

### **6.2 Storing**

To store the G4 electric scooter, follow the instructions below:

- ⚠ Please charge before storage.
- ⚠ Recharge every two months.
- ⚠ Cover with dust cloth to prevent dust.
- ⚠ Do not store it in a dusty or humid environment, otherwise it may cause damage.

### **6.3 Transport**

Close and fold the scooter before moving, lifting or transporting it (see section 3.5 for instructions).

- ⚠ When lifting the entire scooter, please note that the weight of the scooter is about 38 kg



## **After sales**

The G4 electric scooter is warranted for one year under normal use and service conditions from the date of purchase.

This warranty gives you specific legal rights, and you can also enjoy other rights according to local laws. The warranty period is one year from the date of purchase. If the product is repaired or replaced, the warranty period will not be extended. This warranty only covers product quality problems under normal use conditions during the warranty period.

### **Warranty does not include**

**(a) Transportation (b) storage (c) use (d) non-compliance with instructions (e) change (f) unauthorized repair (g) wear (h) accident**

Statement: The company will not be responsible for the accidental use of this product, and its liability will not exceed the purchase price of this product under any circumstances.

